

BV4-6666T-PN16 - Double Acting

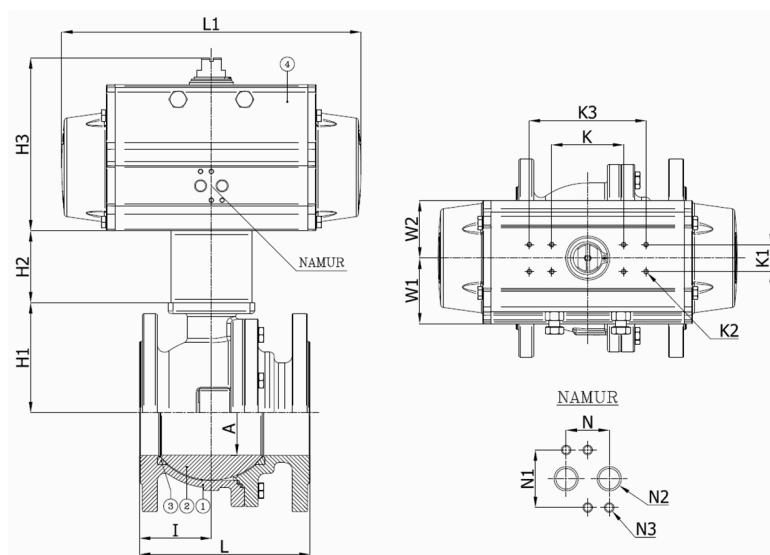
Ball valve, full bore, split body, flanged PN16, with double acting actuator

Face to Face Standard: EN 558-1 series 27

The actuator is selected for 25°C water with a pressure drop of 16 bar with 6 bar supply air pressure and minimum 1 cycle per week



Item Number	Belven Ref.
043D77DA1065	BV4-6666T-PN16-DN065 - DA085
043D77DA1080	BV4-6666T-PN16-DN080 - DA100
043D77DA1100	BV4-6666T-PN16-DN100 - DA100
043D77DA1125	BV4-6666T-PN16-DN125 - DA115
043D77DA1150	BV4-6666T-PN16-DN150 - DA125
043D77DA1200	BV4-6666T-PN16-DN200 - DA160



DN/Size	A	H1	H2	H3	I	K	K1	K2	K3	L	L1	N	N1	W1	W2	N2	N3	Press.Cl.	Weight(kg)
DN65 (2 1/2")	64	93,5	60	145	61	80	30	M5		170	240,5	24	32	58,5	47,5	1/8"	M5	PN16	20.40
DN80 (3")	76	108	80	157,8	75,5	80	30	M5		180	275	24	32	68	55	1/4"	M5	PN16	25.00
DN100 (4")	95	122	80	157,8	80	80	30	M5	130	190	275	24	32	68	55	1/4"	M5	PN16	32.60
DN125 (5")	125	144	80	192,4	149	80	30	M5	130	325	333	24	32	73	64	1/4"	M5	PN16	57.40
DN150 (6")	150	177	100	204,4	157	80	30	M5	130	350	372	24	32	80	68	1/4"	M5	PN16	86.80
DN200 (8")	200	220	100	251	190	80	30	M5	130	400	500	24	32	99	87	1/4"	M5	PN16	156.80

Item 1	Item 2	Item 3	Item 4
Body Material	Ball Material	Seat Material	Actuator Material
Stainless steel : 1.4408 (CF8M)	Stainless steel : A182-F316 / A351-CF8M	PTFE	Extruded aluminium