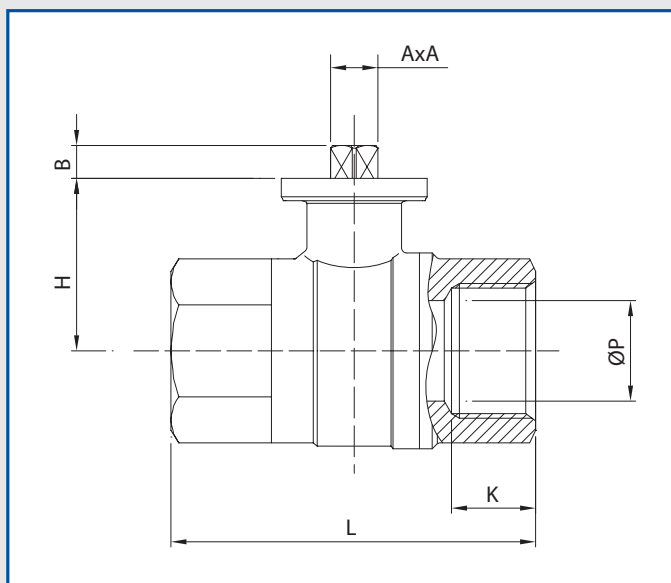


## SERIES VK64



### CARATTERISTICHE

1. Valvola a Sfera a 2 vie a Passaggio Totale in Ottone
2. Filettate Femmina secondo EN 10226-1, ISO 228-1
3. Costruita in Ottone
4. Seggi in PTFE
5. Doppio O Ring dello stelo in Viton
6. Flangia per montaggio diretto attuatore secondo ISO 5211
7. Sistema di Antiespulsione
8. Temperatura di esercizio: -20°C + 120°C - prevedere distanziali se necessario

### FEATURES

1. 2 way full port brass ball valve
2. Female Thread ends according EN 10226-1, ISO 228-1.
3. Made by Brass
4. Ball seats PTFE
5. Two Viton O ring on the stem for maximum safety
6. Direct mounting actuator ISO 5211
7. Blow-out proof stem
8. Working Temperature -20 °C + 120 °C - please use mounting kits when needed

### PRESSIONE DI ESERCIZIO WORKING PRESSURE

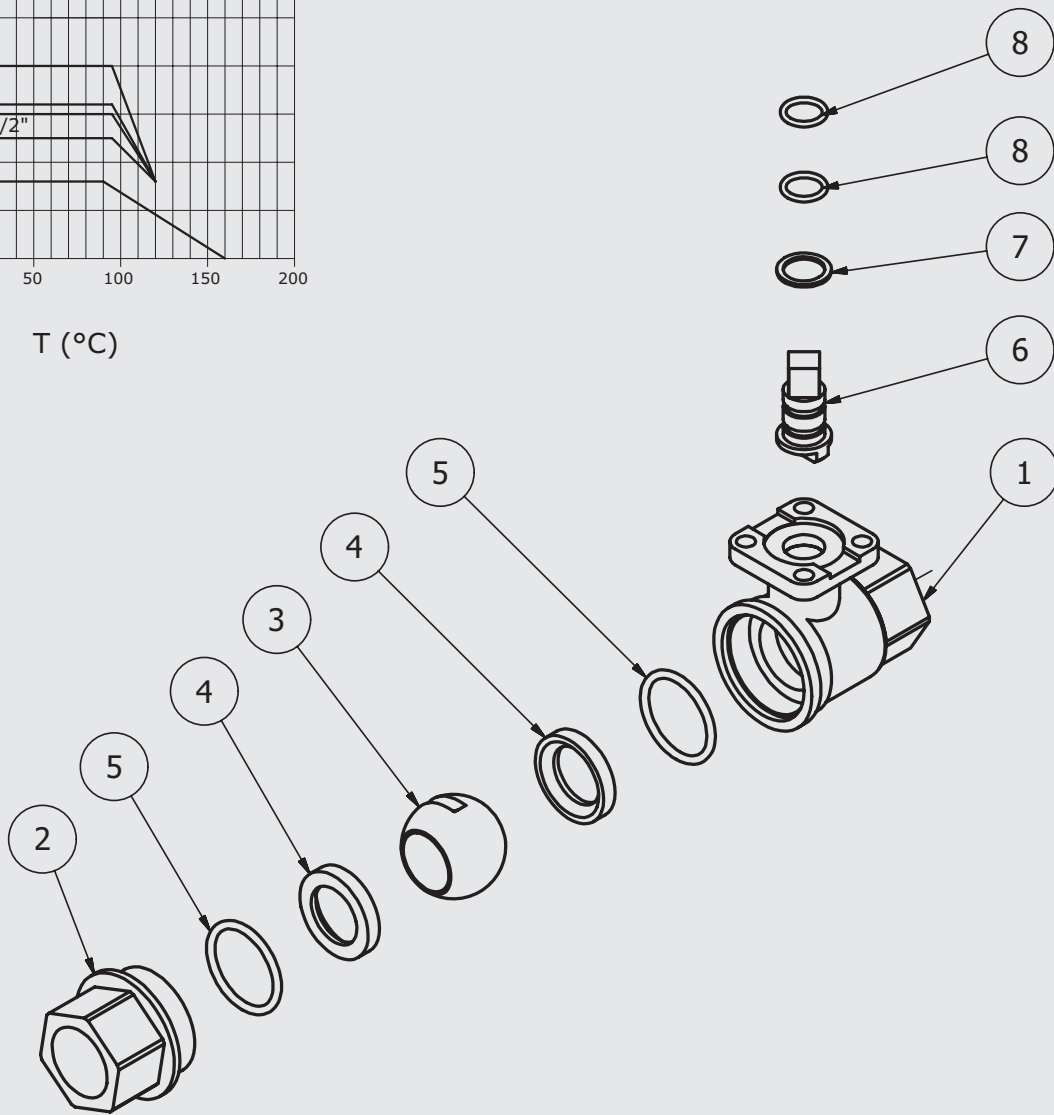
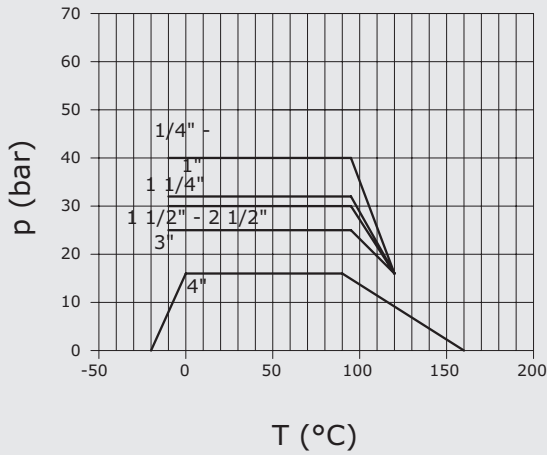
SIZE	TEMP	PN	TEMP	PN
1/4" ÷ 1"	Up to 95°C	40	From 96°C to 120°C	16
1 1/4"	Up to 95°C	32	From 96°C to 120°C	16
1 1/2" ÷ 2 1/2"	Up to 95°C	30	From 96°C to 120°C	16
3"	Up to 95°C	25	From 96°C to 120°C	16

### DIMENSIONI E CONNESSIONI / DIMENSIONS & CONNECTIONS

Part n°	Size	DN	ØP	K	L	H	AxA	B	ISO 5211
PV02-VK64GM14A	1/4"	8	11.5	17	64	29	9	10	F03
PV02-VK64GI38A	3/8"	10	15	17	64	29	9	10	F03
PV02-VK64GA12A	1/2"	15	15	17	64	29	9	10	F03
PV02-VK64GB34A	3/4"	20	20	19	76	32	9	10	F03
PV02-VK64GC10A	1"	25	25	21	88	36	9	10	F03/F05
PV02-VK64GD13A	1 1/4"	32	32	22	96	41	9	10	F03/F05
PV02-VK64GE15A	1 1/2"	40	38	22	103	57	11	12	F03/F05
PV02-VK64GF20A	2"	50	45	25	121	64	11	12	F03/F05
PV02-VK64GG25A	2 1/2"	65	62	34	165	90	14	16	F07
PV02-VK64GH30A	3"	80	76	37	188	100	14	16	F07
PV02-VK64GL40	4"	100	100	39,3	225	116,5	17	17,5	F07

To complete the code, replace a with 1= "L" valve; 2= "T" valve and b with G=Gas; N=NPT

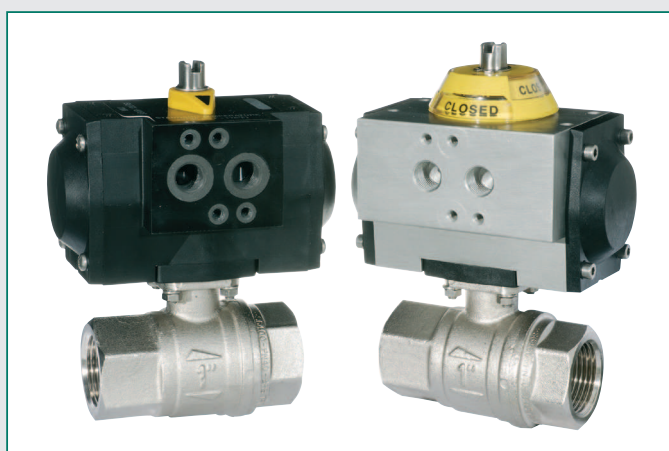
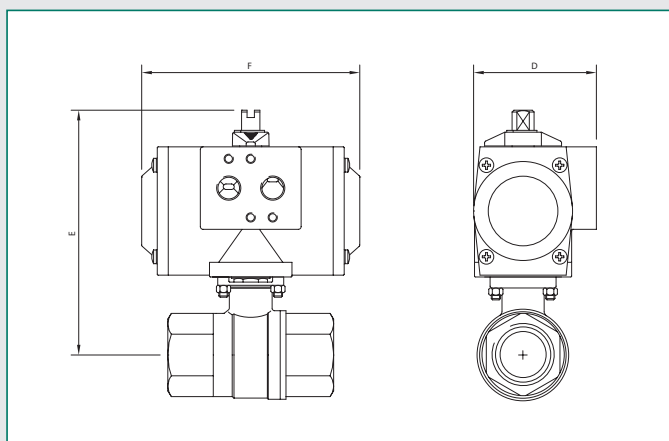
DIAGRAMMA PRESSIONE – TEMPERATURA  
PRESSURE – TEMPERATURE CHART



## MATERIALI / MATERIALS

N°	Articolo	Material	Item
1	Corpo	CW617N	Body
2	Manicotto	CW617N	End cap
3	Sfera	CW617N	Ball
4	Sedi laterali	PTFE	Ball seat
5	O Ring	Viton 70SH	O Ring
6	Stelo	CW614N	Stem
7	Anello antifrizione	PTFE	Thrust washer
8	O Ring	Viton 70SH	O Ring

## VALVOLA A SFERA A 2 VIE IN OTTONE CON ATTUATORE PNEUMATICO 2 WAYS BRASS BALL VALVE WITH PNEUMATIC ACTUATOR



### CARATTERISTICHE

- Attuatore Pneumatico a Doppio o Semplice Effetto avente le stesse dimensioni di ingombro
- Disponibile in Tecnopolimero, in Alluminio o in Acciaio Inox AISI 316
- Pressione di alimentazione: 2÷8 bar (per Tecnopolimero) – 2÷10 Bar (per Alluminio e Inox)
- Temperatura di esercizio: -20°C +80°C (per Alluminio e Inox disponibile anche per Alte e Basse temperature)

### FEATURES

- Double Acting or Spring Return actuators with same compact dimensions
- Available in Techno-polymer, in Aluminum or in Stainless Steel AISI 316
- Working Pressure: 2÷8 bar (for Techno-polymer) – 2÷10 Bar (for Aluminum and Stainless Steel)
- Working Temperature: -20°C +80°C (Aluminum and Stainless Steel units are also available in Low temp or High Temp configuration)

### A RICHIESTA

- Elettrovalvole NAMUR
- Box Fine Corsa
- Posizionatori
- Riduttori Sganciabili
- Attuatori Elettrici

### OPTIONAL

- NAMUR Solenoid Valves
- Limit Switch Boxes
- Positioners
- Dec clutchable Gear Boxes
- Electric Actuators

Gli attuatori sono dimensionati per applicazioni normali e pressione di alimentazione di almeno 5.62 Bar. Emme Technology Srl si riserva il diritto di cambiare o modificare le caratteristiche tecniche di prodotto senza preavviso e senza incorrere nell'obbligo di apportare tali modifiche sui prodotti precedentemente o successivamente venduti.

Actuators are sized for normal conditions based on supply air pressure of at least 5.62 Bar (80 PSI). Emme Technology Srl reserves the right to change or modify products without prior notice and without incurring any obligation to make such changes on products previously or subsequently sold.

### Dimensioni con Attuatore in Tecnopolimero a Doppio Effetto Dimensions with Double Acting Techno-polymer Actuator

Part n°	Size	DN	PN	D	E	F
UT10DE-VK64GM14A	1/4"	8	40	67	120	119
UT10DE-VK64GI38A	3/8"	10	40	67	120	119
UT10DE-VK64GA12A	1/2"	15	40	67	120	119
UT10DE-VK64GB34A	3/4"	20	40	67	123	119
UT10DE-VK64GC10A	1"	25	40	67	127	119
UT10DE-VK64GD13A	1 1/4"	32	32	67	132	119
UT10DE-VK64GE15A	1 1/2"	40	30	67	148	119
UT13DE-VK64GF20A	2"	50	30	86	175	160
UT13DE-VK64GG25A	2 1/2"	65	30	86	201	160
UT18DE-VK64GH30A	3"	80	25	101	233	175

Valvole maggiori non disponibili con attuatori in tecnopolimero  
Bigger sizes not available with techno-polymer actuators

### Dimensioni con Attuatore in Tecnopolimero a Semplice Effetto Dimensions with Spring Return Techno-polymer Actuator

Part n°	Size	DN	PN	D	E	F
UT10S2-VK64GM14A	1/4"	8	40	67	120	119
UT10S2-VK64GI38A	3/8"	10	40	67	120	119
UT10S2-VK64GA12A	1/2"	15	40	67	120	119
UT10S2-VK64GB34A	3/4"	20	40	67	123	119
UT13S3-VK64GC10A	1"	25	40	86	147	160
UT13S4-VK64GD13A	1 1/4"	32	32	86	152	160
UT18S3-VK64GE15A	1 1/2"	40	30	101	190	175
UT18S4-VK64GF20A	2"	50	30	101	197	175
UT18S4-VK64GG25A	2 1/2"	65	30	101	223	175

Valvole maggiori non disponibili con attuatori in tecnopolimero  
Bigger sizes not available with techno-polymer actuators

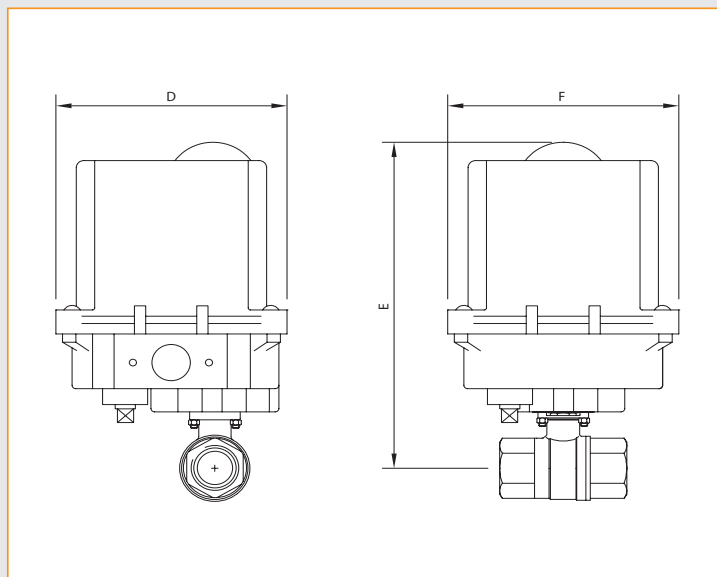
### Dimensioni con Attuatore in Alluminio a Doppio Effetto Dimensions with Double Acting Aluminum Actuator

Part n°	Size	DN	PN	D	E	F
MT03DE-VK64GM14A	1/4"	8	40	51	99	112
MT03DE-VK64GI38A	3/8"	10	40	51	99	112
MT03DE-VK64GA12A	1/2"	15	40	51	99	112
MT03DE-VK64GB34A	3/4"	20	40	51	102	112
MT05DE-VK64GC10A	1"	25	40	67	137	119
MT05DE-VK64GD13A	1 1/4"	32	32	67	142	119
MT05DE-VK64GE15A	1 1/2"	40	30	67	158	119
MT15DE-VK64GF20A	2"	50	30	81	175	175
MT15DE-VK64GG25A	2 1/2"	65	30	81	201	175
MT17DE-VK64GH30A	3"	80	25	81	211	207
MT25DE-VK64GL40	4"	100	16	96	245	248

### Dimensioni con Attuatore in Alluminio a Semplice Effetto Dimensions with Spring Return Aluminum Actuator

Part n°	Size	DN	PN	D	E	F
MT05S2-VK64GM14A	1/4"	8	40	67	130	119
MT05S2-VK64GI38A	3/8"	10	40	67	130	119
MT05S2-VK64GA12A	1/2"	15	40	67	130	119
MT05S2-VK64GB34A	3/4"	20	40	67	133	119
MT07S4-VK64GC10A	1"	25	40	71	134	168
MT15S4-VK64GD13A	1 1/4"	32	32	81	152	175
MT20S3-VK64GE15A	1 1/2"	40	30	96	185	186
MT20S4-VK64GF20A	2"	50	30	96	192	186
MT20S4-VK64GG25A	2 1/2"	65	30	96	218	186
MT30S4-VK64GH30A	3"	80	25	114	247	241
MT40S5-VK64GL40	4"	100	16	131	301	305

## VALVOLA A SFERA A 2 VIE IN OTTONE CON ATTUATORE ELETTRICO 2 WAYS BRASS BALL VALVE WITH ELECTRIC ACTUATOR



### CARATTERISTICHE

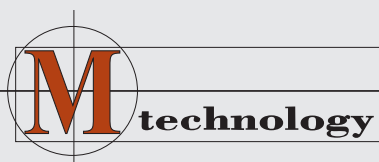
1. Design compatto
2. Base in alluminio verniciato ed ingranaggi in metallo
3. Grado di protezione IP67
4. Con manuale d'emergenza
5. 2 fine corsa standard
6. A richiesta con posizionatore
7. Temperatura di esercizio: -10°C +60°C

### FEATURES

1. Compact Design
2. Epoxy coated die cast aluminum base and metal gears
3. Protection degree: IP67
4. With manual override
5. With n°2 switches as standard
6. On request: positioner
7. Working Temperature: -10°C +60°C

Part n°	Size	DN	PN	D	E	F
AE01*-VK64GM14A	1/4"	8	40	120	178	127
AE01*-VK64GI38A	3/8"	10	40	120	178	127
AE01*-VK64GA12A	1/2"	15	40	120	178	127
AE01*-VK64GB34A	3/4"	20	40	120	181	127
AE01*-VK64GC10A	1"	25	40	120	185	127
AE01*-VK64GD13A	1 1/4"	32	32	120	190	127
AE01*-VK64GE15A	1 1/2"	40	30	120	206	127
AE01*-VK64GF20A	2"	50	30	120	213	127
AE01*-VK64GG25A	2 1/2"	65	30	120	239	127
AE02*-VK64GH30A	3"	80	25	120	249	127

\* Diverse tensioni disponibili - Various voltages available



**Emme technology S.r.l.**