

FHP GENERAL INFORMATION

Flow rates [l/min]

Filter series	Length	Filter element design - H Series					Filter element design - N Series					
		A03	A06	A10	A16	A25	A03	A06	A10	A16	A25	M25
FHP 010	1	3	5	6	7	8	4	6	8	9	10	37
	2	5	7	13	16	22	6	8	16	19	24	40
	3	10	13	22	25	30	11	14	23	26	31	41
	4	12	15	25	27	32	16	19	27	30	33	41
FHP 011	1	3	5	6	7	9	4	6	8	9	11	47
	2	5	7	14	17	24	7	9	17	21	28	52
	3	11	14	25	29	36	11	14	26	30	37	53
	4	12	16	28	32	38	17	21	32	36	40	54
FHP 065	1	24	25	50	59	84	25	33	56	63	90	142
	2	33	38	68	77	98	34	52	72	79	106	143
	3	61	70	100	107	123	61	73	101	108	125	147
FHP 135	1	49	55	95	98	147	67	72	115	122	159	184
	2	89	106	129	131	163	105	111	140	142	192	209
	3	120	132	158	166	180	141	143	176	179	193	211
FHP 320	1	97	102	156	162	228	112	121	187	217	253	313
	2	161	181	238	241	283	200	214	282	294	321	330
	3	207	234	276	281	307	246	268	313	322	327	335
	4	233	247	280	284	311	268	281	316	326	338	342
FHP 500	1	144	157	265	268	355	269	305	390	406	444	612
	2	232	262	350	363	398	321	357	433	441	484	619
	3	293	301	398	408	455	396	416	497	499	537	622
	4	336	377	452	455	507	430	475	516	524	545	626
	5	420	428	494	500	544	475	493	535	545	569	627

Maximum flow rate for a complete pressure filter with a pressure drop $\Delta p = 1.5$ bar.

The reference fluid has a kinematic viscosity of 30 mm²/s (cSt) and a density of 0.86 kg/dm³.

For different pressure drop or fluid viscosity we recommend to use our selection software available on www.mpfiltri.com.

Please, contact our Sales Department for further additional information.

Hydraulic symbols

Filter series	Style S	Style B	Style T	Style D	Style V	Style Z
FHP 010 - 011	•	•			•	•
FHP 065	•	•	•			
FHP 135	•	•	•			
FHP 320	•	•	•	•	•	•
FHP 500	•	•	•	•	•	•

FHP FHP065 - FHP135 - FHP320

Designation & Ordering code

COMPLETE FILTER

Series and size Configuration example: **FHP320** **4** **V** **A** **G1** **A06** **S** **P01**

FHP065 | **FHP135** | **FHP320**

Length	FHP065	FHP135	FHP320
1	•	•	•
2	•	•	•
3	•	•	•
4			•

Valves	FHP065	FHP135	FHP320
S Without bypass	•	•	•
B With bypass 6 bar	•	•	•
T With check valve, without bypass	•	•	•
D With check valve, with bypass 6 bar			•
V With reverse flow, without bypass			•
Z With reverse flow, with bypass 6 bar			•

Seals	FHP065	FHP135	FHP320
A NBR			•
V FPM			•

Connections	FHP065	FHP135	FHP320
G1	G 1/2"	G 3/4"	G 1 1/4"
G2	G 3/4"	G 1"	G 1 1/2"
G3	1/2" NPT	3/4" NPT	1 1/4" NPT
G4	3/4" NPT	1" NPT	1 1/2" NPT
G5	SAE 8 - 3/4" - 16 UNF	SAE 12 - 1 1/16" - 12 UN	SAE 20 - 1 5/8" - 12 UN
G6	SAE 12 - 1 1/16" - 12 UN	SAE 16 - 1 5/16" - 12 UN	SAE 24 - 1 7/8" - 12 UN
F1	-	3/4" SAE 3000 psi/M	1 1/4" SAE 3000 psi/M
F2	-	1" SAE 3000 psi/M	1 1/2" SAE 3000 psi/M
F3	-	3/4" SAE 3000 psi/UNC	1 1/4" SAE 3000 psi/UNC
F4	-	1" SAE 3000 psi/UNC	1 1/2" SAE 3000 psi/UNC
F5	-	3/4" SAE 6000 psi/M	1 1/4" SAE 6000 psi/M
F6	-	3/4" SAE 6000 psi/UNC	1 1/4" SAE 6000 psi/UNC

Filtration rating (filter media)	
A03 Inorganic microfiber	3 µm
A06 Inorganic microfiber	6 µm
A10 Inorganic microfiber	10 µm
A16 Inorganic microfiber	16 µm
A25 Inorganic microfiber	25 µm
M25 Wire mesh	25 µm

Element Δp	Valves						
	S	B	T	D	V	Z	
N 20 bar		•					
R 20 bar				•		•	
H 210 bar	•						
S 210 bar		•			•		

Execution	Filter length			
	1	2	3	4
P01 MP Filtri standard	•	•	•	•
P02 Maintenance from the bottom of the housing				•
Pxx Customized				

FILTER ELEMENT

Element series and size Configuration example: **HP320** **4** **A06** **A** **S** **P01**

HP065 | **HP135** | **HP320**

Element length	HP065	HP135	HP320
1	•	•	•
2	•	•	•
3	•	•	•
4			•

Filtration rating (filter media)	
A03 Inorganic microfiber	3 µm
A06 Inorganic microfiber	6 µm
A10 Inorganic microfiber	10 µm
A16 Inorganic microfiber	16 µm
A25 Inorganic microfiber	25 µm
M25 Wire mesh	25 µm

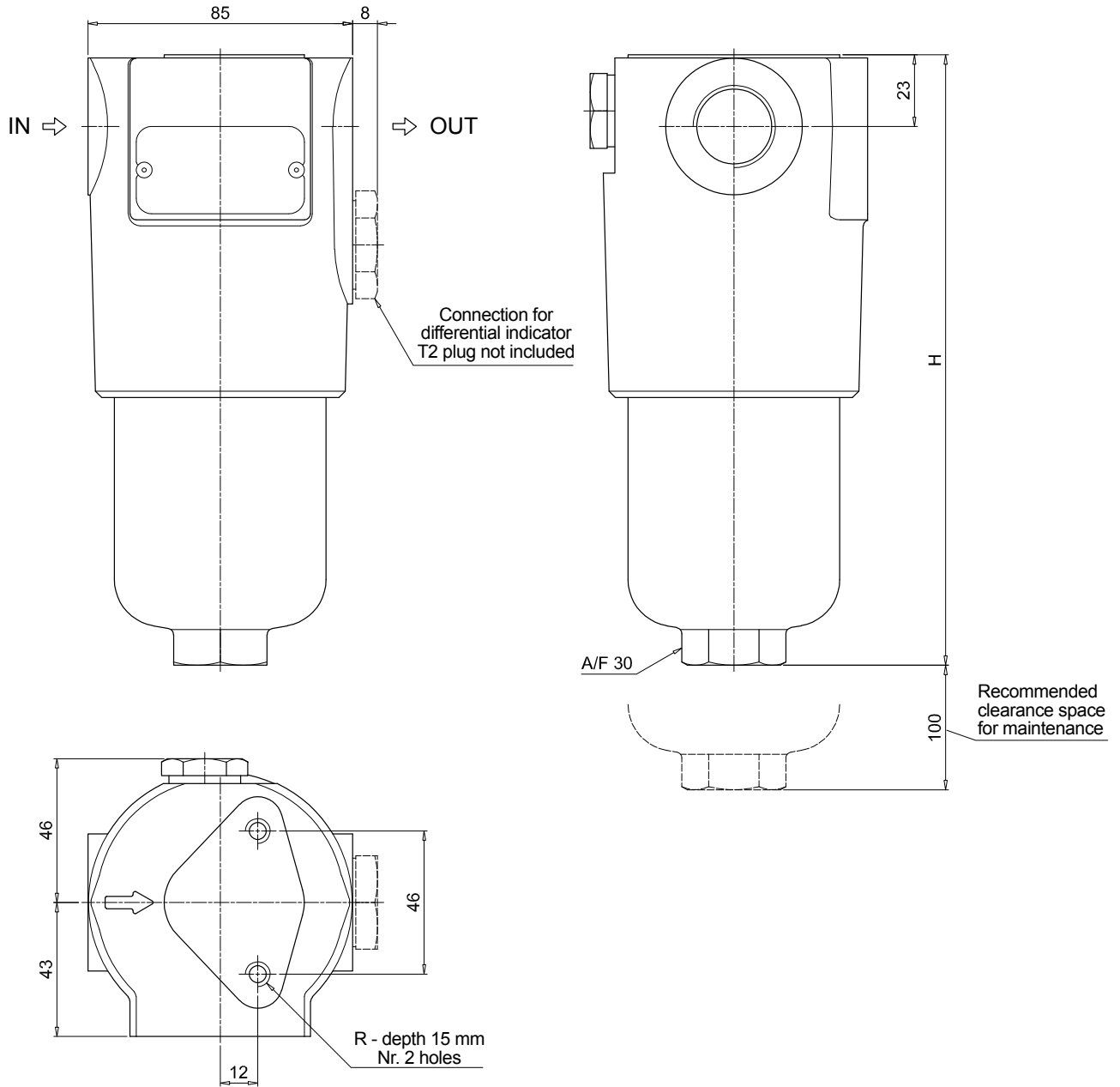
Seals
A NBR
V FPM

Element Δp
N 20 bar
R 20 bar
H 210 bar
S 210 bar

Execution
P01 MP Filtri standard
Pxx Customized

ACCESSORIES

Differential indicators	page		page
DEA Electrical differential indicator	563	DLE Electrical / visual differential indicator	566
DEH Hazardous area electronic differential indicator	563-564	DTA Electronic differential indicator	567
DEM Electrical differential indicator	564-565	DVA Visual differential indicator	567
DLA Electrical / visual differential indicator	565-566	DVM Visual differential indicator	567
Additional features	page		
T2 Plug	568		

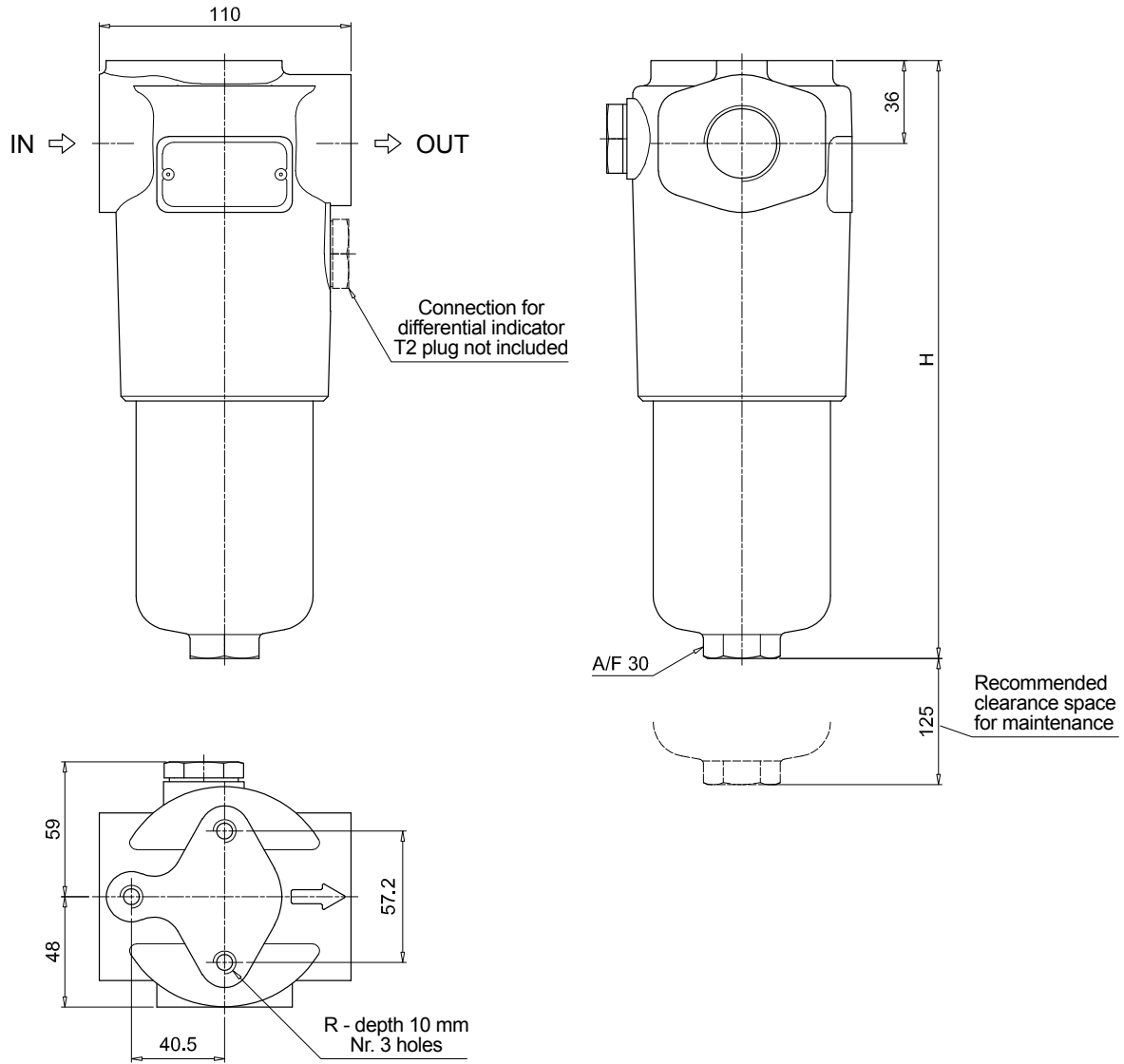


FHP065

Filter length	H [mm]
1	196
2	227
3	329
Connections	R
G1-G2	M8
G3-G4-G5-G6	5/16" UNC

FHP FHP065 - FHP135 - FHP320

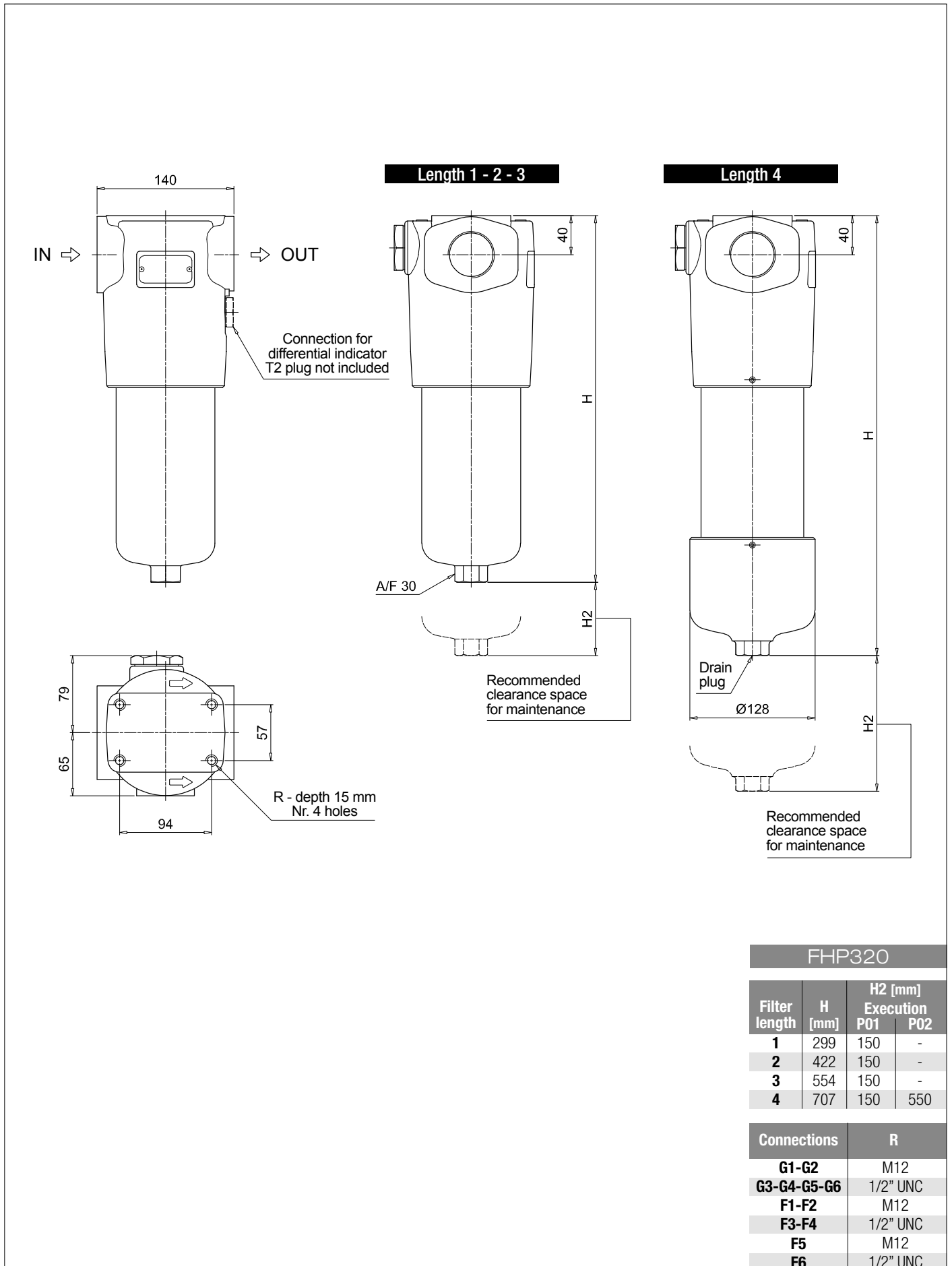
Dimensions



FHP135

Filter length	H [mm]
1	260
2	373
3	448

Connections	R
G1-G2	M10
G3-G4-G5-G6	3/8" UNC
F1-F2	M10
F3-F4	3/8" UNC
F5	M10
F6	3/8" UNC



FHP320

Filter length	H [mm]	H2 [mm] Execution	
		P01	P02
1	299	150	-
2	422	150	-
3	554	150	-
4	707	150	550

Connections	R
G1-G2	M12
G3-G4-G5-G6	1/2" UNC
F1-F2	M12
F3-F4	1/2" UNC
F5	M12
F6	1/2" UNC