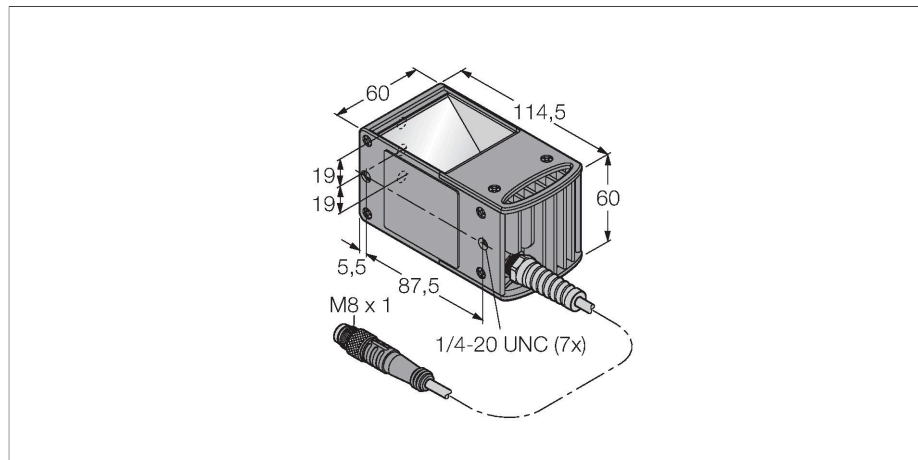


# LEDIO50M-D

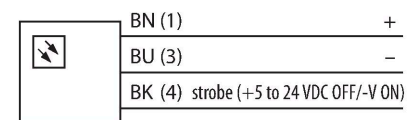
## Vision System – Axial Lighting



### Features

- Axial lighting
- Protection class: IP40
- Color: infrared
- Power supply: 24 VDC
- Pigtail M8x1, 0.6m

### Wiring diagram



### Technical data

Type	LEDIO50M-D
ID	3079053
<b>Signal and display data</b>	
Purpose	Image processing
Function	Area light
Light type	IR
Wavelength	850...940 nm
LED service life (L70)	20000 h
<b>Electrical data</b>	
Operating voltage	24 VDC
DC rated operational current	≤ 125 mA
Max. current consumption per color	125 mA
<b>Mechanical data</b>	
Design	Rectangular
Dimensions	147.8 x 59.8 x 59.3 mm
Housing material	Metal, Anodized AL
Window material	Acrylic, clear
Electrical connection	Cable with connector, M8 x 1, 0.6 m, PVC
Number of cores	3
Ambient temperature	0...+50 °C
Protection class	IP40
<b>Tests/approvals</b>	
Approvals	CE, cULus listed

### Functional principle

Illumination coaxially integrated in the camera's beam path.