

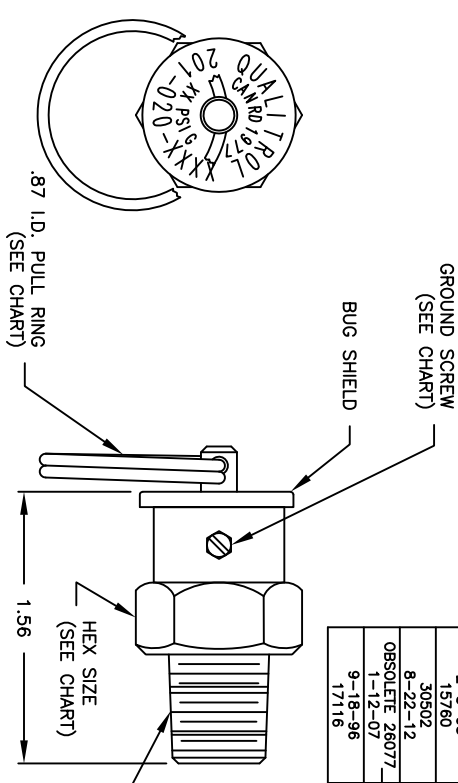


NOTICE
THIS DRAWING IS THE PROPERTY OF QUALITROL COMPANY, LLC AND IS LOANED ONLY. ON THE PART BEING DRAWN. IT IS NOT TO BE REPRODUCED, COPIED OR OTHERWISE DISPOSED OF, AND IS NOT TO BE USED IN WHOLE OR IN PART FOR FURNISHING INFORMATION RELATIVE TO THE MAKING OF DRAWINGS, PARTS OR EQUIPMENT OR FOR ANY OTHER PURPOSES. REQUEST BY MAILING CHECKS FROM QUALITROL COMPANY, LLC.

MODEL NO. 201-020

1. ALL PARTS ARE STAINLESS STEEL OR BRASS; VITON O-RING.
- △ FLOW ON 10 LB. UNIT ONLY (201-020-01) IS 35 SCFM AT 15 PSI.
- ▽ PULL RING AND BUG SHIELD NOT REQUIRED.
4. TEST PER PPS-47.

REVISION	MODEL No.	OPERATING PRESSURE	RESEAL BY	THREAD SIZE	HEX SIZE	PULL RING	THREAD SEALING OPTIONS	GND. SCREW
2	201-020-01	10 ±2	6	1/4-18 NPT	.68	YES	TEFLON TAPE	NO
	PRELIMINARY	10 ±2	6	1/2-14 NPT	.88	YES		NO
	9-18-97	10 ±2	6	1/4-18 NPT	.68	YES	EVERSEAL	NO
	18760	10 ±2	6	1/4-18 NPT	.68	YES	NONE	NO
	9-18-97	10 ±2	6	1/4-18 NPT	.68	YES	TEFLON TAPE	NO
	18760	10 ±2	6	1/4-18 NPT	.68	YES	TEFLON TAPE	NO
	9-18-97	10 ±2	6	1/4-18 NPT	.68	YES	VIBRASEAL	NO
	18760	10 ±2	6	1/4-18 NPT	.68	YES	NONE	NO
	9-18-97	10 ±2	6	1/4-18 NPT	.68	YES	NONE	NO
	18760	10 ±2	6	1/4-18 NPT	.68	YES	NONE	NO
	11-1-10	20 ±2	15	1/4-18 NPT	.68	YES	NONE	NO
	201-020-02	20 ±2	15	1/4-18 NPT	.68	YES	NONE	NO
	201-020-03	3.5 ±1	1	1/4-18 NPT	.68	NO	NONE	NO
	201-020-04	12 ±2	5	1/4-18 NPT	.68	YES	NONE	NO
	201-020-05	6 ±1	2	1/4-18 NPT	.68	YES	NONE	NO
	201-020-05T	6 ±1	2	1/4-18 NPT	.68	YES	TEFLON TAPE	NO
	11-12-07	4 ±1	1	1/4-18 NPT	.68	YES	NONE	NO
	201-020-06	4 ±1	1	1/4-18 NPT	.68	YES	NONE	NO
	201-020-07	15 ±2	11	1/4-18 NPT	.68	YES	NONE	NO
	201-020-08	5 ±2	1	1/4-18 NPT	.68	YES	NONE	NO
	OBS. 1-13-98	5 ±1	1	1/4-18 NPT	.68	YES	NONE	NO
	19050	5 ±1	1	1/4-18 NPT	.68	YES	NONE	NO
	3-21-00	5 ±1	1	1/4-18 NPT	.68	YES	NONE	NO
	21105	5 ±1	1	1/4-18 NPT	.68	YES	NONE	NO
	3-21-00	5 ±1	1	1/4-18 NPT	.68	YES	TEFLON TAPE	NO
	21105	5 ±1	1	1/4-18 NPT	.68	YES	TEFLON TAPE	NO
	6-6-13	5 ±1	1	1/4-18 NPT	.68	YES	VIBRASEAL	NO
	3-1-90	10 ±2	6	1/4-18 NPT	.68	YES	TEFLON TAPE	YES
	14228	10 ±2	6	1/4-18 NPT	.68	YES	TEFLON TAPE	YES
	12-18-92	35 ±3.5	20	1/4-18 NPT	.68	YES	NONE	NO
	15712	35 ±3.5	20	1/4-18 NPT	.68	YES	NONE	NO
	2-5-93	8 ±1	4	1/4-18 NPT	.68	YES	TEFLON TAPE	NO
	15760	8 ±1	4	1/4-18 NPT	.68	YES	TEFLON TAPE	NO
	30502	8 ±1	4	1/4-18 NPT	.68	YES	NONE	NO
	8-22-12	8 ±1	4	1/4-18 NPT	.68	YES	NONE	NO
	OBSOLETE 26077	3.5 ±1	1	1/4-18 NPT	.68	YES	NONE	NO
	1-12-07	3.5 ±1	1	1/4-18 NPT	.68	YES	NONE	NO
	9-18-96	4.5 ±1	1	1/4-18 NPT	.68	YES	NONE	NO
	17116	4.5 ±1	1	1/4-18 NPT	.68	YES	NONE	NO



SEE CHART FOR THREAD SIZE AND SEALING OPTION

REVISION	9-17-97	REDRAWN ON CAD	SS
DATE	9-1-92	PT.-09: ADD "YES" C TAPE	15593
LET	DATE	ALTERATION	C.N.

QUALITROL

PH. (585) 586-1515
 FAX (585) 377-0220
 1385 FAIRPORT ROAD
 FAIRPORT, NY 14450
 FORM 0-473 REV. F 04/06/06

TITLE: PR VALVE

MODEL NO. 201-020

DIMENSIONS AND TOLERANCES IN ACCORDANCE WITH ASME Y14.5M-1994