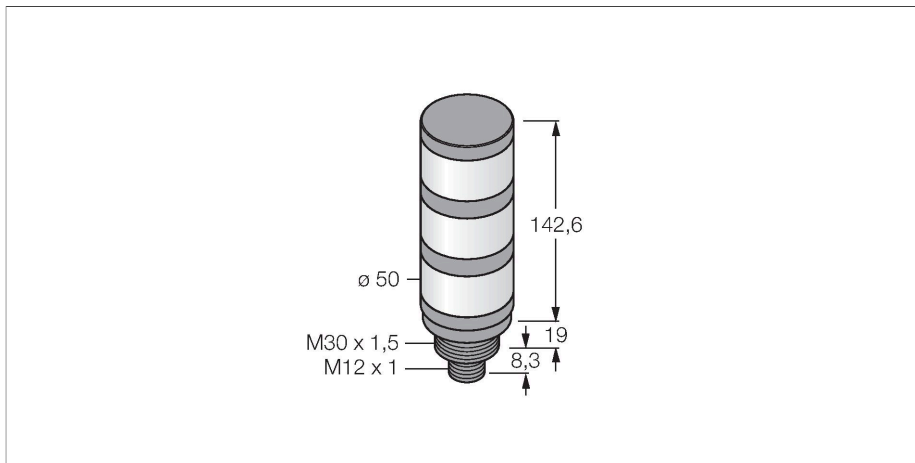


TL50HGRWQ

LED Indicator – High-intensity Tower Light



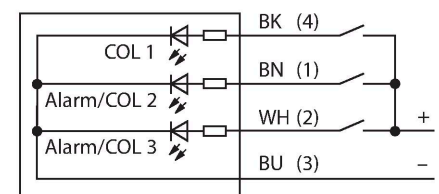
Technical data

| | |
|------------------------------------|------------------------------|
| Type | TL50HGRWQ |
| ID | 3088273 |
| Signal and display data | |
| Purpose | LED indicator light |
| Function | Tower light |
| Light type | Green Red White |
| Dimmable | no |
| Features of color 1 | Green, Permanently on, 60 lm |
| Features of color 2 | Red, Permanently on, 32 lm |
| Features of color 3 | White, Permanently on, 50 lm |
| Electrical data | |
| Operating voltage | 18...30 VDC |
| DC rated operational current | ≤ 100 mA |
| Operating voltage | 21...27 VAC |
| AC rated operational current | ≤ 100 mA |
| Max. current consumption per color | 100 mA |
| Input type | Bipolar (PNP/NPN) |
| Response time typical | < 10 ms |
| Mechanical data | |
| Cascadable | No |
| Design | Smooth barrel, TL50H |
| Dimensions | Ø 50 x 169.9 x 169.9 mm |
| Housing material | Plastic, ABS, Black |
| Window material | Polycarbonate, diffuse |
| Electrical connection | Connector, M12 × 1, PVC |

Features

- Plastic housing, black
- EMI and RFI immune
- Protection class IP67
- Male M12 x 1
- Multicolor: Green (COL 1) / Yellow (COL 2) / White (COL 3)
- Operating voltage: 18...30 VDC or 24 VAC with 45 mA per LED color
- Inputs: PNP/NPN

Wiring diagram



Functional principle

The TL50H tower lights, in the high-brightness version, provide highly visible status indicators and a clear user guidance within the entire system. They can be assembled from varicolored LEDs and are available with or without beeper. You can mount them directly on machines, in the cabinet or in monitoring locations of production lines.

The wiring diagram shows a PNP pin assignment.

There are 5 colors available, blue (B), green (G), red (R), yellow (Y) and white (W), which specify the light sequence from bottom to top in the type code of the tower light. Example: TL50GYRQ, colors green, yellow and red arranged from bottom to top.

Technical data

| | |
|------------------------|---------------|
| Number of cores | 4 |
| Ambient temperature | -40...+50 °C |
| Relative humidity | 0...95 % |
| Protection class | IP67 |
| Tests/approvals | |
| Approvals | CE, UL listed |

Accessories

| | | | |
|--|--|--|---|
| | <p>SMB30A 3032723</p> <p>Mounting bracket, rectangular, stainless steel, for sensors with 30mm thread</p> | | <p>SMB30FA 3074005</p> <p>Montagewinkel; Werkstoff VA 1.4401</p> |
| | <p>SMB30SC 3052521</p> <p>Mounting bracket, PBT black, for sensors with 30 mm thread, rotatable</p> | | |

Accessories

| Dimension drawing | Type | ID | |
|-------------------|---------------|---------|--|
| | RKC4.4T-2/TEL | 6625013 | Connection cable, female M12, straight, 4-pin, cable length: 2 m, sheath material: PVC, black; cULus approval; other cable lengths and qualities available, see www.turck.com |
| | WKC4.4T-2/TEL | 6625025 | Connection cable, female M12, angled, 4-pin, cable length: 2 m, sheath material: PVC, black; cULus approval; other cable lengths and qualities available, see www.turck.com |