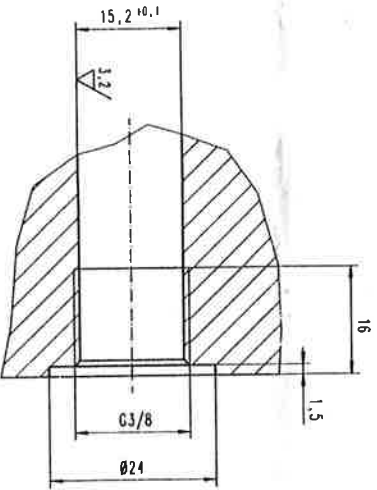
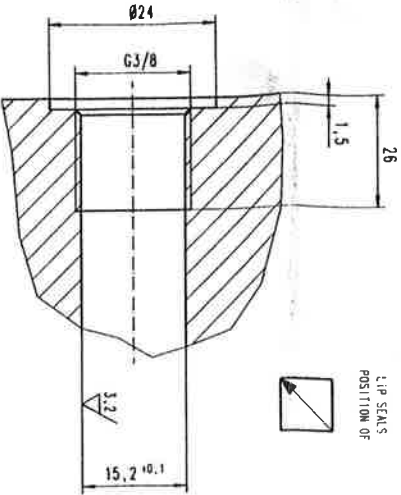
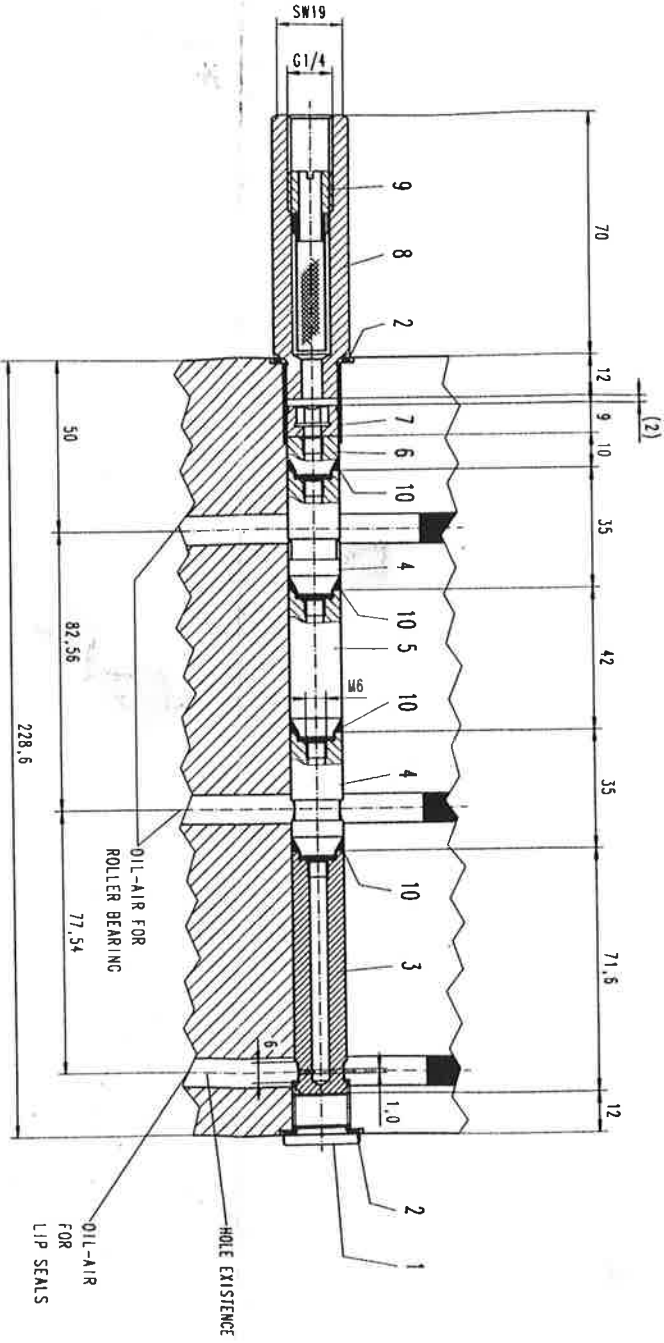


\*1: CLASS 6H (ISO MEDIUM)  
TORQUE POS. 7 : 90Nm

KIBAR GROUP-DRAWING NO.: 141101-5024-001  
OIL CONSUMPTION: 1.6 cm<sup>3</sup>/h  
AIR CONSUMPTION: 4.5 Nm<sup>3</sup>/h  
WEIGHT : 0.45 kg



|  |              |   |            |
|--|--------------|---|------------|
| REBS   |              | Zentralwerkzeugbau GmbH<br>40844 Recklinghausen Postf. 104384 |            |
| ORDER NO.  | 019 150 7188 | DATE  | 28.02.2006 |
| DRWING NO.   | K99\0209A010 | SCALE   | 1:1        |
| TURBO-LUB-ASSEMBLY SET TLESB 3 FOR<br>WORK ROLL, FOIL MILL #1 HUNTER |              | COM. NO.  | K00505     |
| SHEET 1  |              | TTC-KIBAR GROUP   |            |