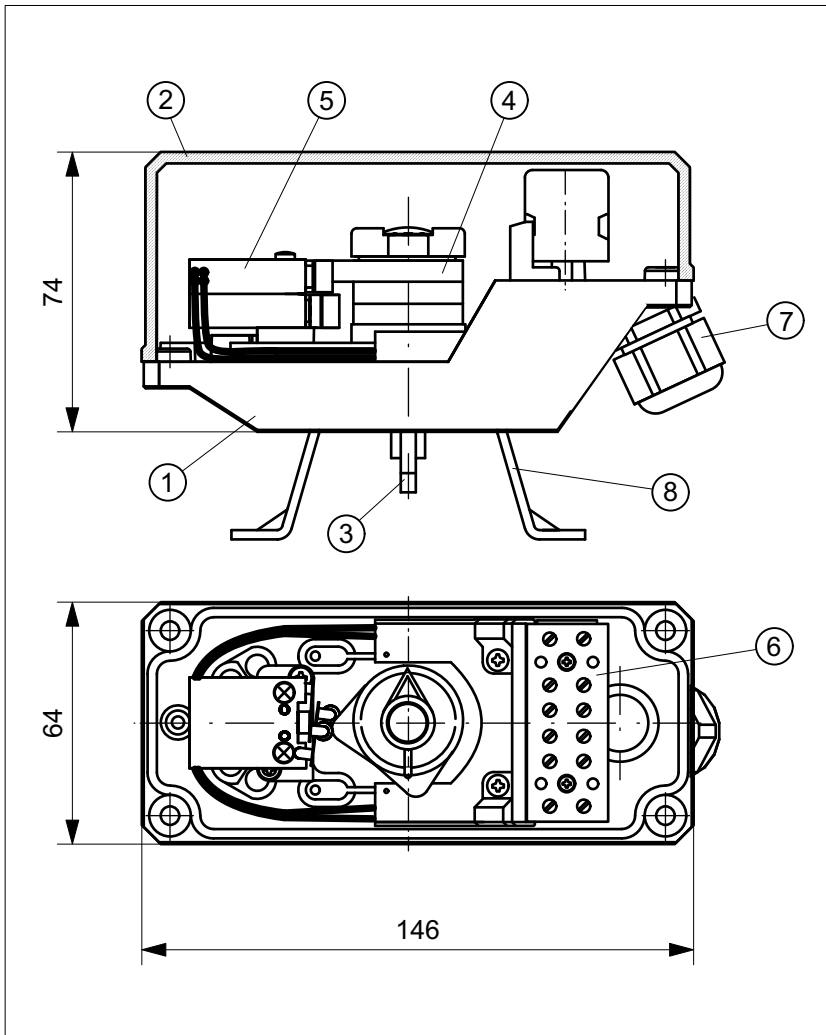




TCR1VVAZ

TCR-Module for hazardous areas with two micro switches Crouzet 83.139.1 in Vestamid-Housing 146 x 64 x 74 mm, protection class Ex ed IIC T6 Gb



TECHNICAL DATA

Manufacturer: Crouzet
 Type: 83.139.1
 Micro switch
 Switching capacity: 5 A, 250 V AC
 Contacts: Silver-Nickel
 Economic life-time: 5×10^6 switching cycles
 Temperature: -20 ... +60°C
 Housing: Vestamid, black
 Housing: Vestamid, black
 Sealing: EPDM
 Ingress protection: IP66
 Switching precision: <math><1.5^\circ</math>
 System connection: Cable gland M20x1,5
 Clamp. range 5,5 ... 13 mm



II 2G Ex d e IIC T6 Gb
PTB 02 ATEX 1150

OBJECT LIST

Pos.	Pcs.	Description	Material
1	1	Housing base	Vestamid
2	1	Housing cover	Vestamid
3	1	TCR-Axis	POM
4	1	Switch cam system	POM
5	2	Micro switch Ex d IIC T6 Gb	-
6	1	Terminal block Ex e II	-
7	1	Cable gland Ex e II	-
8	1	Bracket size 1 - 4	A2

WIRING DIAGRAM

