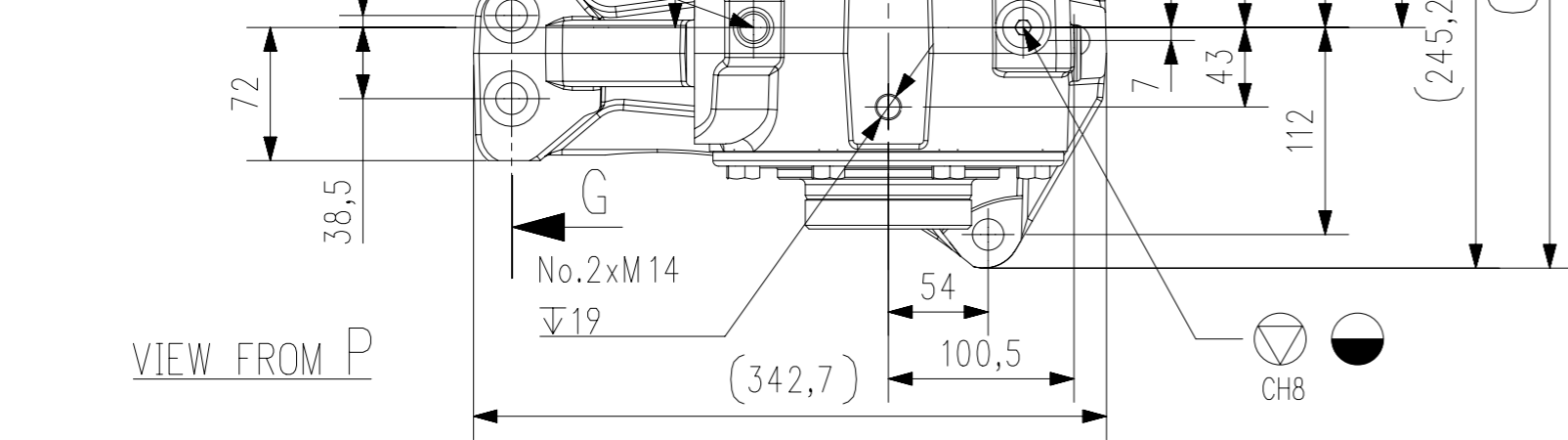
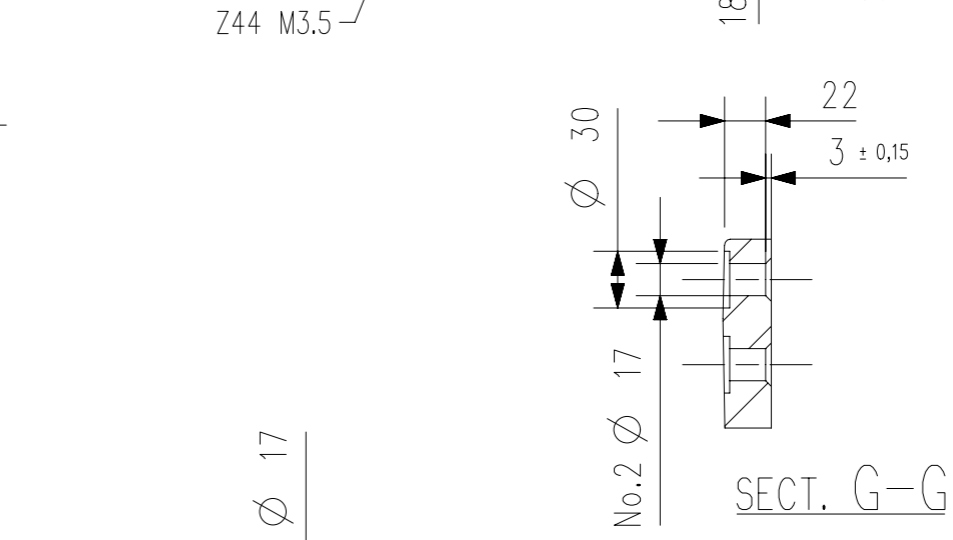


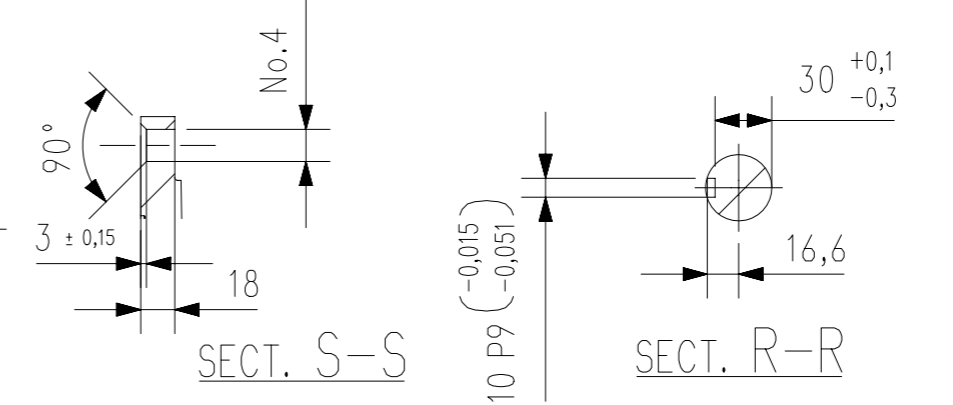
DETAIL I
SCALE 1:2



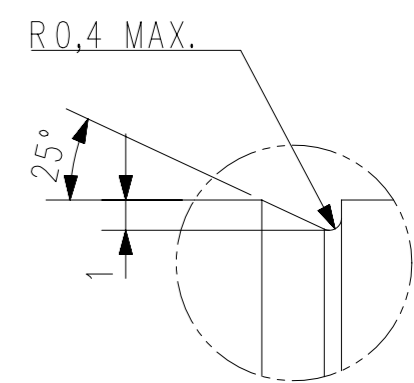
VIEW FROM P



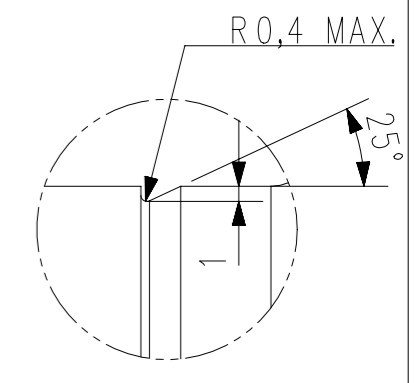
SECT. G-G



SECT. S-S



DETAIL H
SCALE 4:1



DETAIL E
SCALE 2:1

CUSTOMER

CUSTOMER SIGNATURE FOR APPROVAL

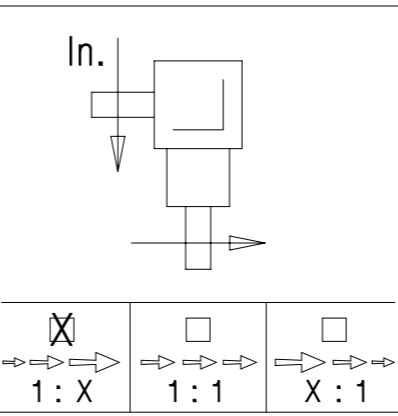
DATE

Rapporto Ratio Verhättnis Rapport	1 : 2.36
Lubricant	Oil <input checked="" type="checkbox"/> Litres Grease <input type="checkbox"/> kg.
Recommended type	SAE 90 EP
Estimated quantity	0.75 L.
Gearbox supplied with Lubricant	<input checked="" type="checkbox"/> Yes <input type="checkbox"/> No

Giri in entrata g/min. Input speed r.p.m. Eingangsdrehzahl u/min. Tours en entrée tr/min.	1080
Cuscinetti Bearings Lager Roulements	A 6308 2RS B 30208 "A" C 30309 D 30309 E F G H

Potenza in entrata Input power Eingangsleistung Puissance en entrée	57 HP 42 kW
Peso - Weight - Gewicht - Poids	35.2 kg.
Denti diritti Straight Gerade Droite	<input checked="" type="checkbox"/>
Denti elicoidali Helicoidal Schraubenfoermig Helicoidale	<input type="checkbox"/>

Coppia in uscita Output torque moment Ausgangsdrehmoment Couple en sortie	15.3 da Nm
Tappo stiato - Breather plug Entlüftungsstopfen-Bouchon ventilation	<input type="checkbox"/>
Tappo carico - filler plug Fullstopfen - Bouchon remplissage	<input type="checkbox"/>
Tappo livello - Level plug Standschraube - Bouchon niveau	<input type="checkbox"/>
Tappo scarico - Drain plug Ablassraube - Bouchon vidange	<input type="checkbox"/>



Code	9.203.004.00	Customer Ref.	510.191
Designation	LF-203	Date	25-01-18
Gearbox not painted <input checked="" type="checkbox"/>		Gearbox painted <input type="checkbox"/>	
COMER INDUSTRIES reserves the right to make any change to this product without prior public acknowledgement COMER INDUSTRIES S.p.A. 42046 Villanova di Reggiolo (R.E.) Italia Tel. 0522\974111 fax 0522\973249			

S.d.M. 04.22878

comer industries
gearboxes