

'U2VG' SERIES NEEDLE MANIFOLD



2 Valve Needle Manifold 10,000 PSI

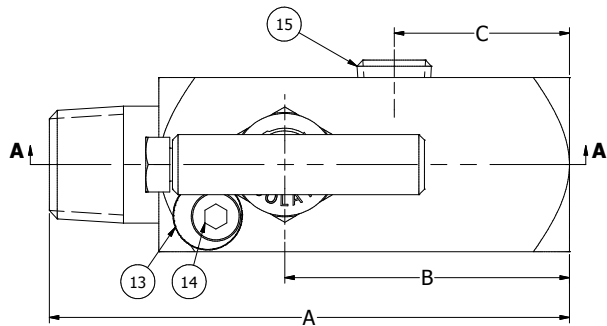
The U2VG series 2 valve gauge manifold offering single process isolation and controlled venting. Unlike the 'U2VR' series, this can be offered with male inlet and female outlet connections. A slim-line and compact 2 valve manifold. Incorporated are all the standard long service life features of the standard 'N' series needle valve, multi-ring piston style packing and back sealing facility. Most standard options such as locking devices are available. Can be supplied with mounting holes as an option to allow for fixing to pipe stands or enclosures.

DESIGN FEATURES

<ul style="list-style-type: none">• All valves have 2-piece non-rotating hardened (17-4PH) tips as standard, for bubble tight shut off and long service life.	<ul style="list-style-type: none">• Temperature range -40°C to 230°C (427°C with GP option)
<ul style="list-style-type: none">• Positive no slack stem action.	<ul style="list-style-type: none">• Repair / service kits available to extend service life further.
<ul style="list-style-type: none">• Unique bonnet anti-rotational cam device.	<ul style="list-style-type: none">• 50mm (2") and 100mm (4") extended versions are available
<ul style="list-style-type: none">• Metal to metal body bonnet seal for high pressure and high temperature sealing.	<ul style="list-style-type: none">• Full material traceability.
<ul style="list-style-type: none">• Ingress seals fitted as standard.	<ul style="list-style-type: none">• Materials of construction can be supplied to meet the requirements of NACE MR 0175.

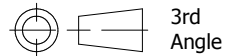
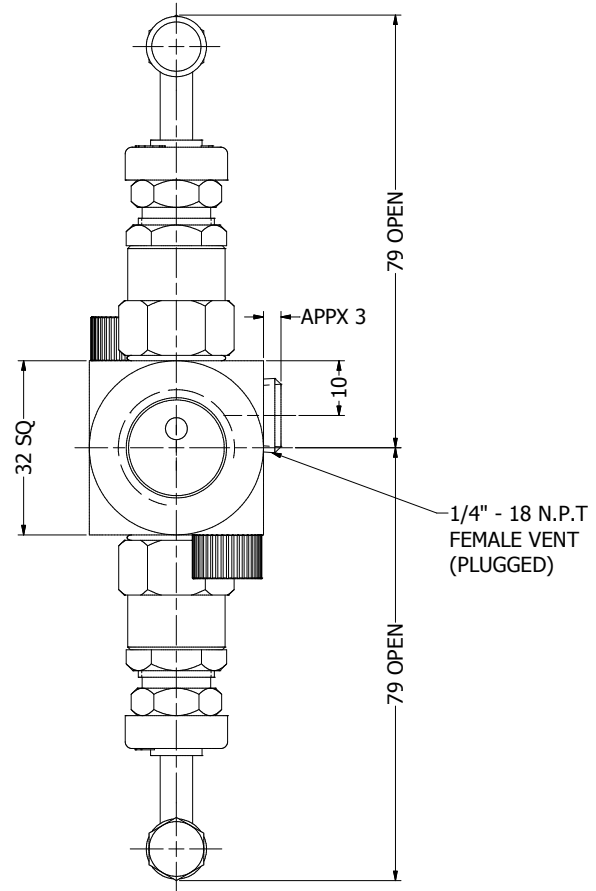
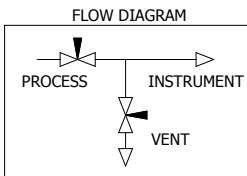
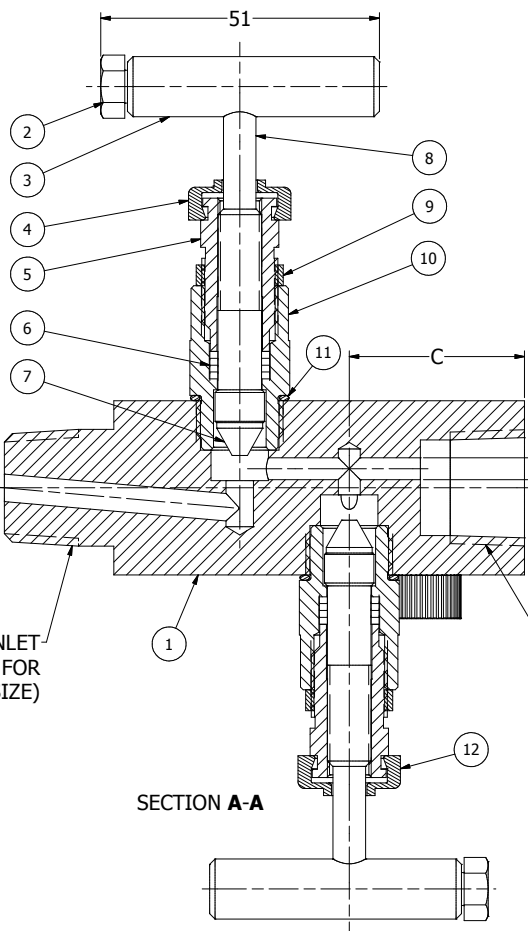
REVISIONS

REV No.	DATE	DETAILS OF CHANGE	REV BY
1	20/02/2015	ISSUED	MM



PART NO	INLET SIZE	OUTLET SIZE	A	B	BORE	C	CV	WEIGHT
U2VG4NS	1/2" NPT	1/2" NPT	95	52	4	32	0.6	0.83 Kg
U2VG4NS-16MN	3/4" NPT	1/2" NPT	95	52	3	32	0.38	0.89 Kg

ITEM	DESCRIPTION	MATERIAL	QTY
1	NEEDLE BODY	A479 UNS S31600	1
2	HANDLE BOLT	A4 ST/ST	2
3	"T" HANDLE	UNS S31600	2
4	ISOLATE DUST CAP	PVC	1
5	GLAND ADJUSTER	UNS S31600	2
6	PACKING	RFFE	8
7	VALVE TIP	A564 UNS S17400	2
8	NEEDLE STEM	A479 UNS S31600	2
9	GLAND LOCKNUT	UNS S31600	2
10	BONNET HOUSING	A479 UNS S31600	2
11	INGRESS SEAL	VITON	2
12	VENT DUST CAP	PVC	1
13	LOCKING CAM	UNS S31600	2
14	CAM SCREW	A4 ST/ST	2
15	BLANK PLUG	A479 UNS S31600	1



IMPORTANT - THIS DOCUMENT MAY CONTAIN CONTROLLED INFORMATION AND COULD THEREFORE REQUIRE EXPORT PERMISSIONS FROM RELEVANT AUTHORITIES IN YOUR COUNTRY

PRESSURE RATINGS ARE COLD WORKING, NON-SHOCK AND SUBJECT TO TEMPERATURE LIMITATIONS, UNLESS OTHERWISE STATED. PLEASE SEE SPECIFIC PRODUCT DATA

DIMENSIONS AND DESIGNS ARE SUBJECT TO CHANGE WITHOUT PRIOR NOTICE

TYPICAL VALVE LAYOUT

MALE INLET (SEE TABLE FOR CONNECTION SIZE)

FEMALE OUTLET (SEE TABLE FOR CONNECTION SIZE)

1/4" - 18 N.P.T FEMALE VENT (PLUGGED)



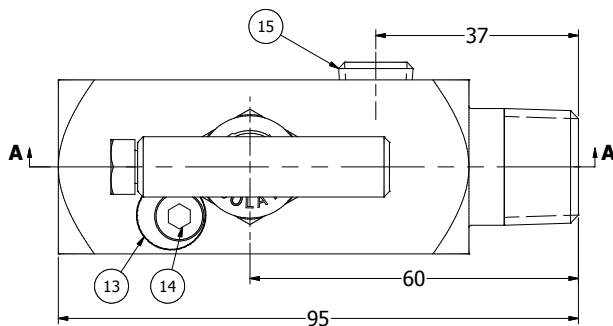
Alco Valves

Industrial Valve Manufacturers
Mission Works, Birds Royd Lane, Brighouse
West Yorkshire, HD6 1LQ - UK
Tel: 01484 710511 Fax: 01484 713009 Intl: +44 1484 710511
Website: www.alco-valves.com e-mail: uk@alco-valves.com

TITLE:		1/4" TO 3/4" NPT MALE INLET x 1/4" TO 1/2" NPT FEMALE OUTLET 2-VALVE IN-LINE GAUGE REMOTE MOUNT NEEDLE MANIFOLD IN 316 ST/ST 1/4" NPT VENT (PLUGGED). WITH 'T'-BAR HANDLE. RATED 10,000psi.			SCALE: N.T.S.	
		DATE: 20/02/2015				
DRAWING NUMBER		DRWN	C.L.	CHKD	S.R.	APRD
U2VG#NS TABULATED		REVISION No.	1			

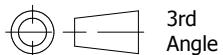
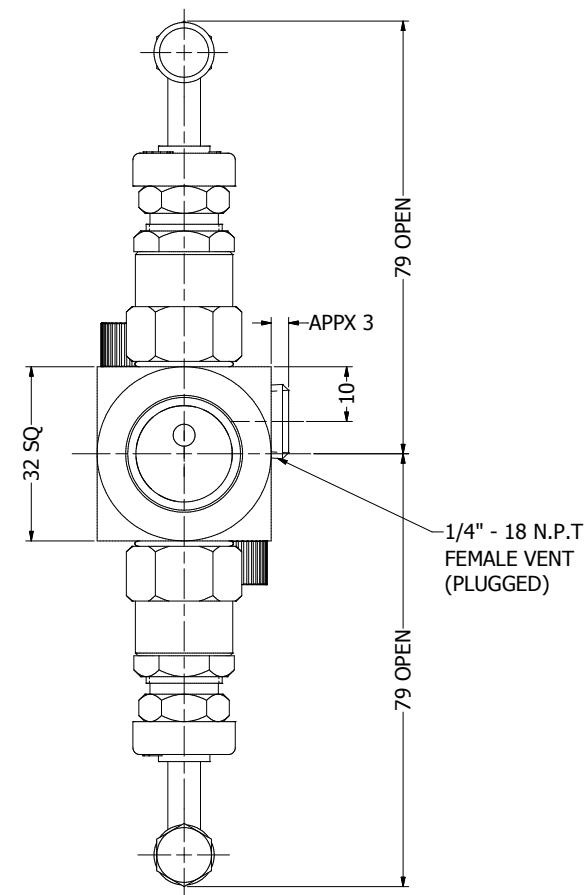
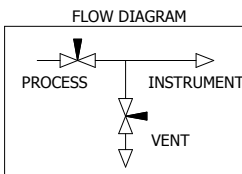
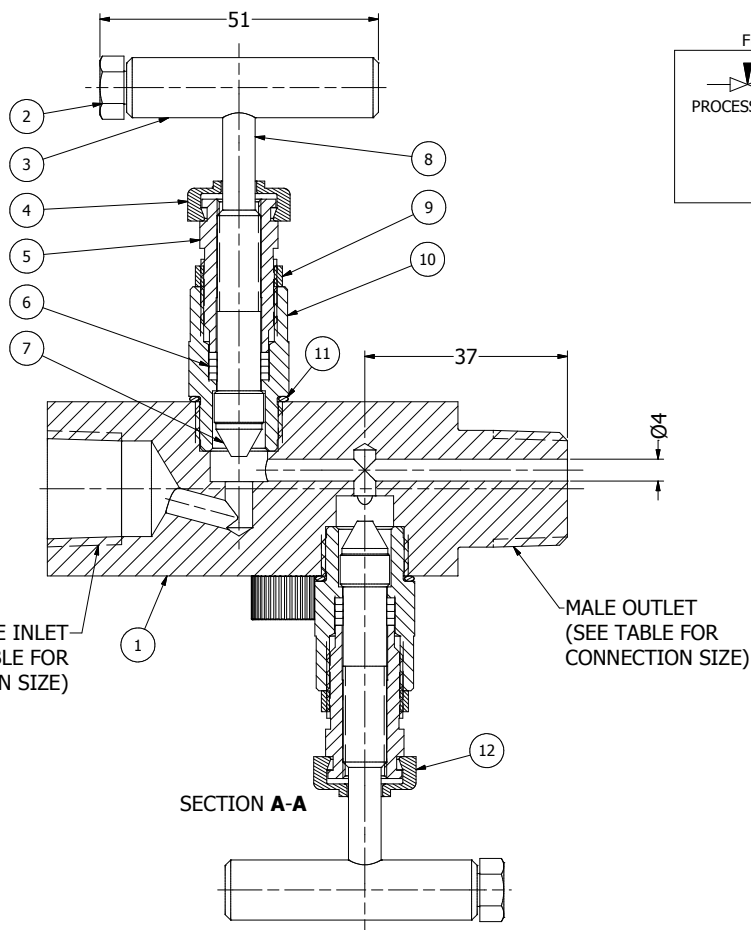
REVISIONS

REV No.	DATE	DETAILS OF CHANGE	REV BY
1	20/02/2015	ISSUED	~



PART NO	CONNECTION SIZE	CV	WEIGHT
U2VG4FNS-1M	1/2" NPT	0.6	0.83 Kg

ITEM	DESCRIPTION	MATERIAL	QTY
1	NEEDLE BODY	A479 UNS S31600	1
2	HANDLE BOLT	A4 ST/ST	2
3	"T" HANDLE	UNS S31600	2
4	ISOLATE DUST CAP	PVC	1
5	GLAND ADJUSTER	UNS S31600	2
6	PACKING	RTFE	8
7	VALVE TIP	A564 UNS S17400	2
8	NEEDLE STEM	A479 UNS S31600	2
9	GLAND LOCKNUT	UNS S31600	2
10	BONNET HOUSING	A479 UNS S31600	2
11	INGRESS SEAL	VITON	2
12	VENT DUST CAP	PVC	1
13	LOCKING CAM	UNS S31600	2
14	CAM SCREW	A4 ST/ST	2
15	BLANK PLUG	A479 UNS S31600	1



3rd Angle

IMPORTANT - THIS DOCUMENT MAY CONTAIN CONTROLLED INFORMATION AND COULD THEREFORE REQUIRE EXPORT PERMISSIONS FROM RELEVANT AUTHORITIES IN YOUR COUNTRY

PRESSURE RATINGS ARE COLD WORKING, NON-SHOCK AND SUBJECT TO TEMPERATURE LIMITATIONS, UNLESS OTHERWISE STATED. PLEASE SEE SPECIFIC PRODUCT DATA

DIMENSIONS AND DESIGNS ARE SUBJECT TO CHANGE WITHOUT PRIOR NOTICE

TYPICAL VALVE LAYOUT

**Alco Valves**®

Industrial Valve Manufacturers
Mission Works, Birds Royd Lane, Brighouse
West Yorkshire, HD6 1LQ - UK
Tel: 01484 710511 Fax: 01484 713009 Intl: +44 1484 710511
Website: www.alco-valves.com e-mail: uk@alco-valves.com

TITLE:

1/2" NPT FEMALE INLET x 1/2" NPT MALE OUTLET
2-VALVE IN-LINE GAUGE REMOTE MOUNT NEEDLE MANIFOLD IN 316 ST/ST
1/4" NPT VENT (PLUGGED). WITH "T"-BAR HANDLE. RATED 10,000psi.

SCALE: N.T.S.

DATE: 20/02/2015

DRAWING NUMBER
U2VG#FNS-1M TABULATED

DRWN	C.L.	CHKD	I.M.	APRD	S.R.
REVISION No.	1				