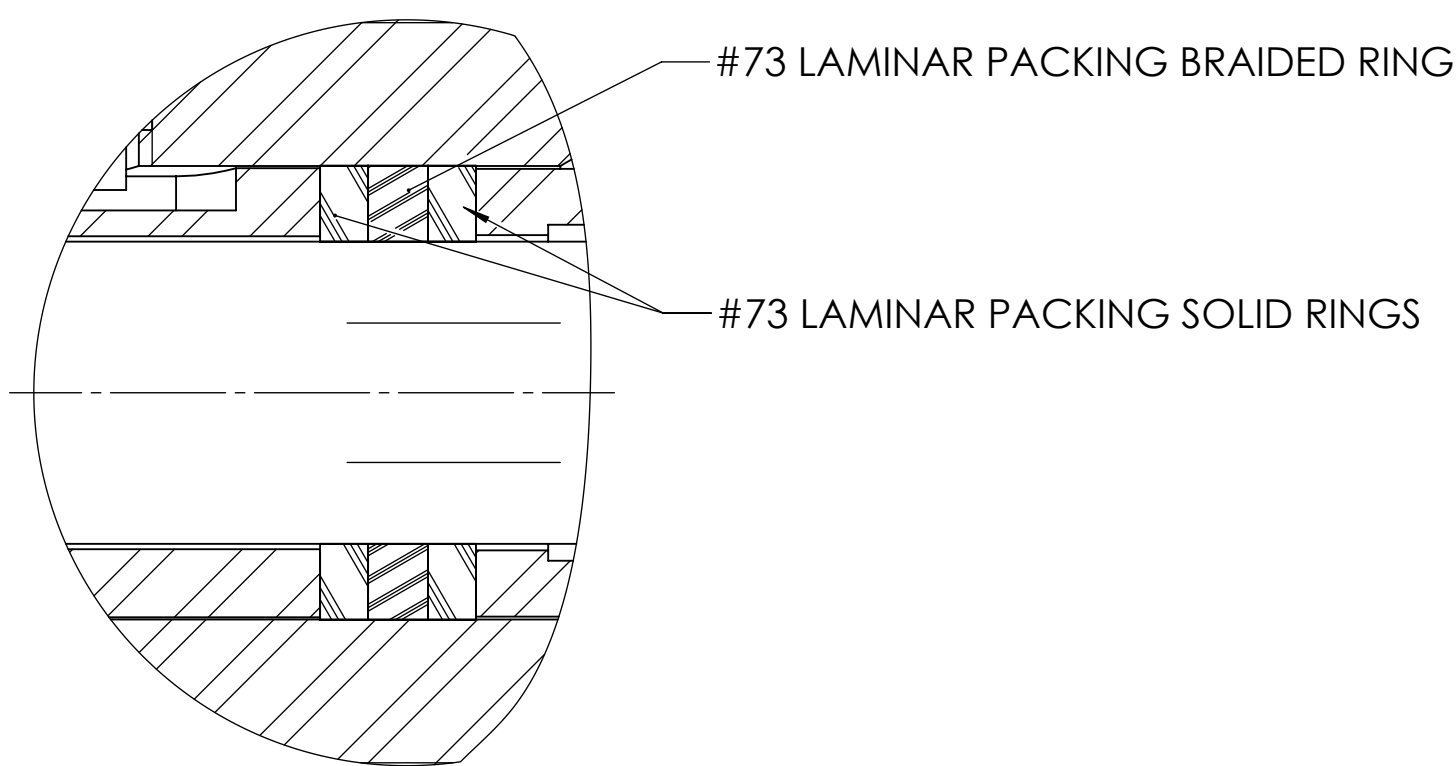
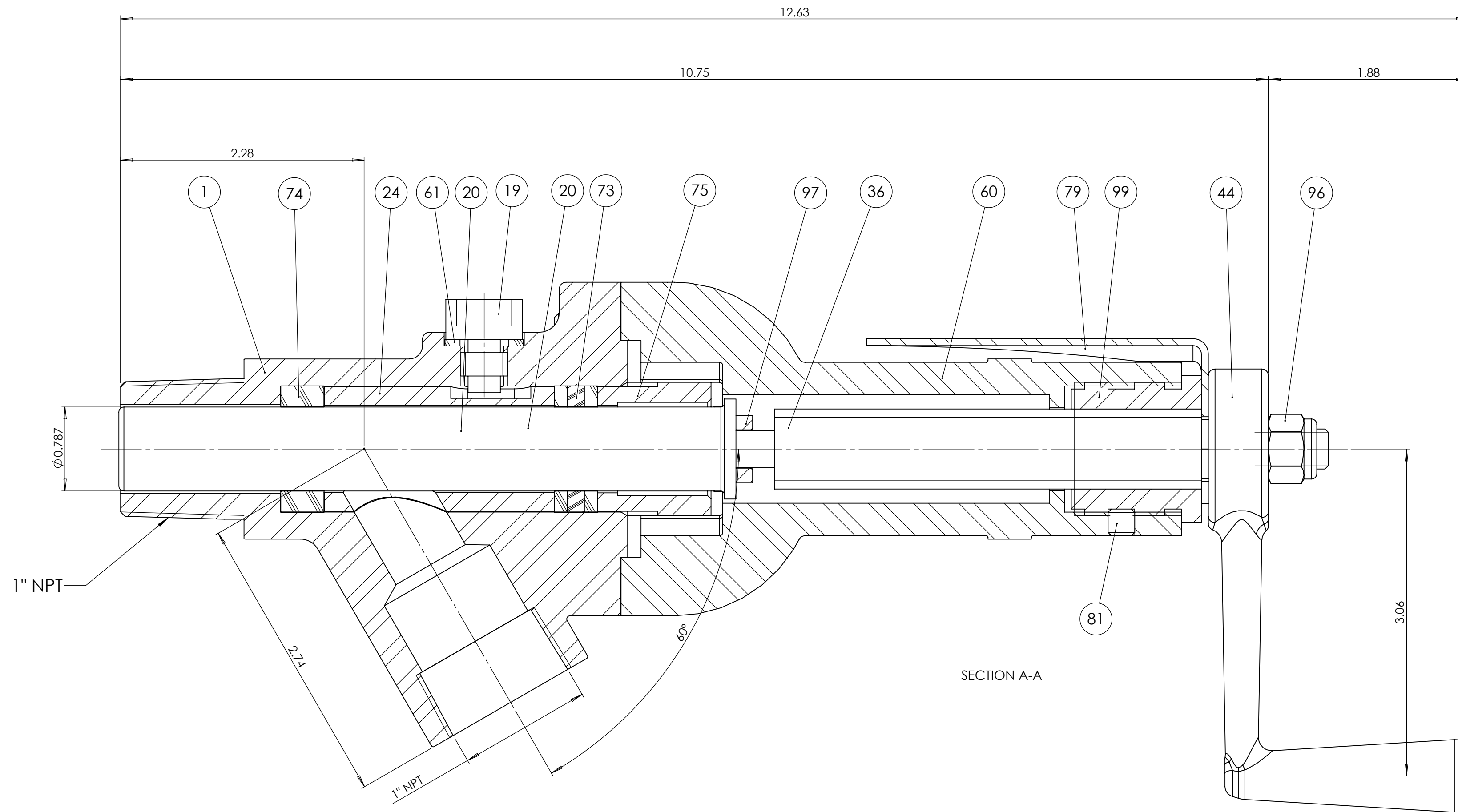
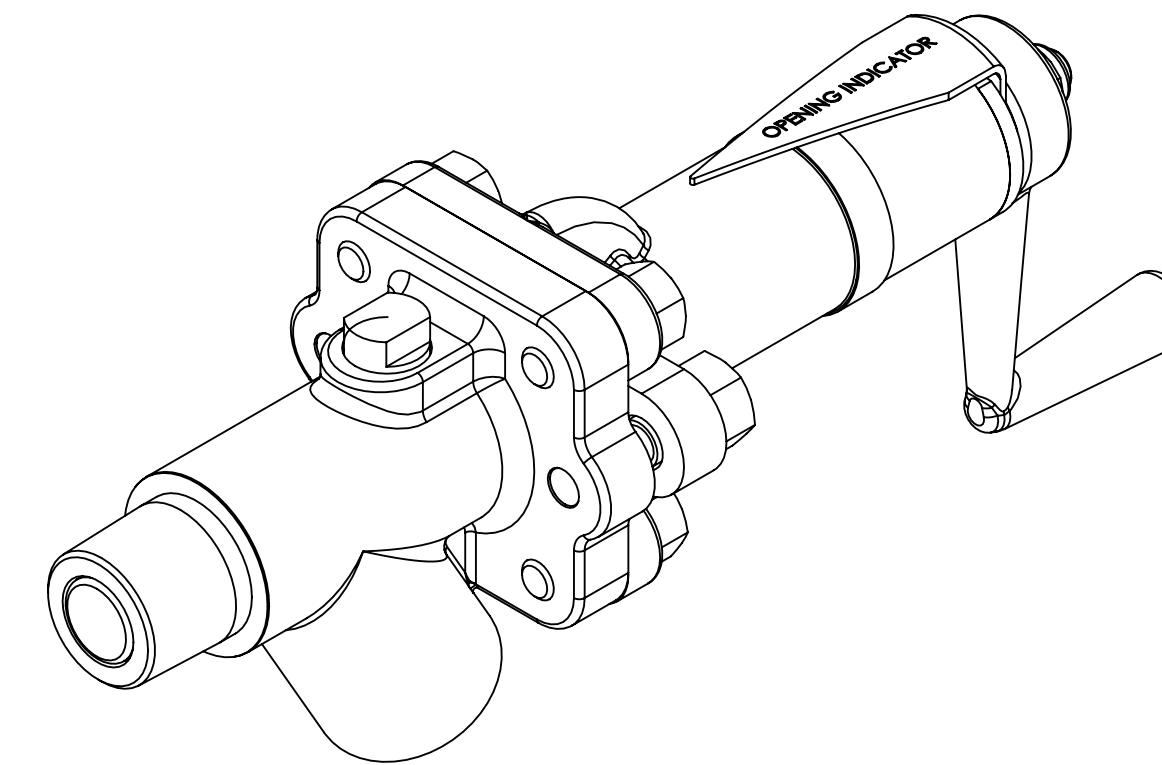


View from opened position



DETAIL B
SCALE 2 : 1



ALL VALVES ARE HYDROSTATICALLY SEAT & SHELL TESTED TO ANSI B16.34 AT AMBIENT TEMPERATURE

99	4241S-1	SV800UBUHF8X	1	Bushing SV8	ASTM B150 C64200 (BX)	
97	4243S-1	SV800SPLITNUT	1	Split Nut SV8	ASTM A-240 316 (HF)	
96	LN003824NYLON	LN003824NYLON	1	3/8"-24 UNF 2B Lock-Nut	ASTM A-479 302 (ML)	NYLON Ring
95 b	HN	HN004414OQ	2	Heavy Hex Nut 7/16"-14 UNC 2B	ASTM A194 Gr 8M (OQ)	
95 a	HN	HN003816OQ	4	Heavy Hex Nut 3/8"-16 UNC 2B	ASTM A194 Gr 8M (OQ)	
81	SET0025	SET0025280025OZ	1	Set Screw 1/4" -28 Length 1/4"	Stain. Steel - 18-8 SS (OZ)	
79	5304S-2	SV700INDC0000	1	SV700 OPENING INDICATOR 0"	ASTM A-240 304 (HE)	
75	4248S-1	SV800GLFCE	1	GLAND SV8	ASTM A-351 CF8 (CE)	
74	2848S-7	SV800RIFA	1	SV-800 Solid Seal Ring	TEFLON / Virgin TFE (FA)	
73	6344S-7	SV800RIFT	1	RING SV8 LAMINAR	LAMINAR Teflon/TFE (FT)	
61	4850S-1	D6010CGFB	1	GASKET CAGE LOCK DV 1" RTFE	25% Glass Fbr /RTFE (FB)	
60	4237S-5	SV800BNFH0000CE	1	Bonnet SV800 HO, 0in PE	ASTM A-351 CF8 (CE)	Pattern NO: Y-627-0
44	5896P-3	SVCRANKHNDLCQ	1	Crank Handle SV7	ASTM A-216 WCB (CQ)	
36	4240S-8	SV800ST0000MK	1	Rising Stem SV800 HO, 0in PE	ASTM A-582 416 (MK)	
24	12064S-2	SV800CAFCF	1	CAGE SV800	ASTM A-351 CF8M (CF)	
20	4239S-8	SV800PH0000MF	1	Piston SV800 600Lbs HO, 0in PE	ASTM A-479 316 (MF)	
19	2874S-2	D6010CLUMF	1	Cage Lock DV 1" / 1-1/2"	ASTM A-479 316 (MF)	
4 b	5467S	STUD004414OE5467S20	2	Stud Bolt 7/16"-14 UNC Length 1.875in	ASTM A193 Gr B8 (OE)	5467S-20 / Class 2
4 a	5467S	STUD003816OE5467S2	4	Stud Bolt 3/8"-16 UNC Length 1.5625in	ASTM A193 Gr B8 (OE)	5467S-2 / Class 2
1	9848S-4	SV800BDUFCFNNF	1	Body SV800, 1"NPT - 1"NPT 600Lbs	ASTM A-351 CF8M (CF)	Casting NO: 9812P-2
Item n°	SW-Nom de fichier	Part n°	Qty	Part name	Material	Observation

