



**Series 603, 608 Product Overview**

**Features:**

- Allow handle to rotate and fall below mounting plane to lock in retracted position
- Large holding capacities for their size
- Available with DE-STA-CO® Toggle Lock Plus

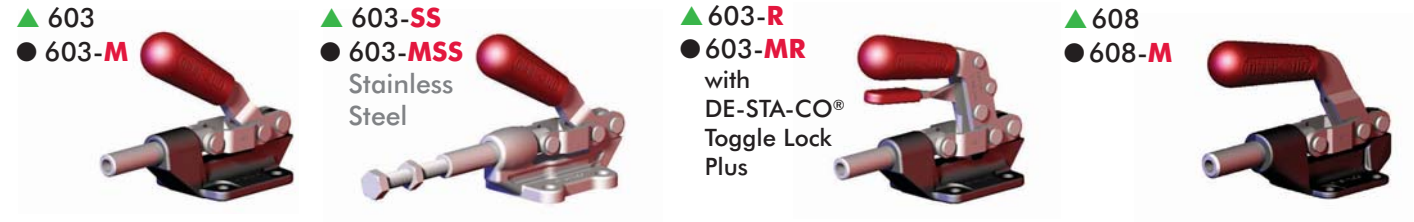
**Applications:**

- Assembly & test
- Checking fixtures
- Welding fixtures
- Tensioning devices

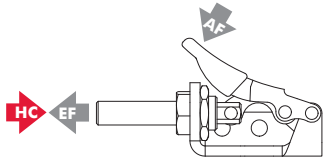
**Also Available:**

See page 8.1 for accessories  
 803 Pneumatic Toggle Clamp  
 See page 10.26  
 803-ME Pneumatic Toggle Clamp  
 See page 10.26

Covered under one year or more U.S./International Patents



**Series 603, 608 Technical Information, Holding Capacities**

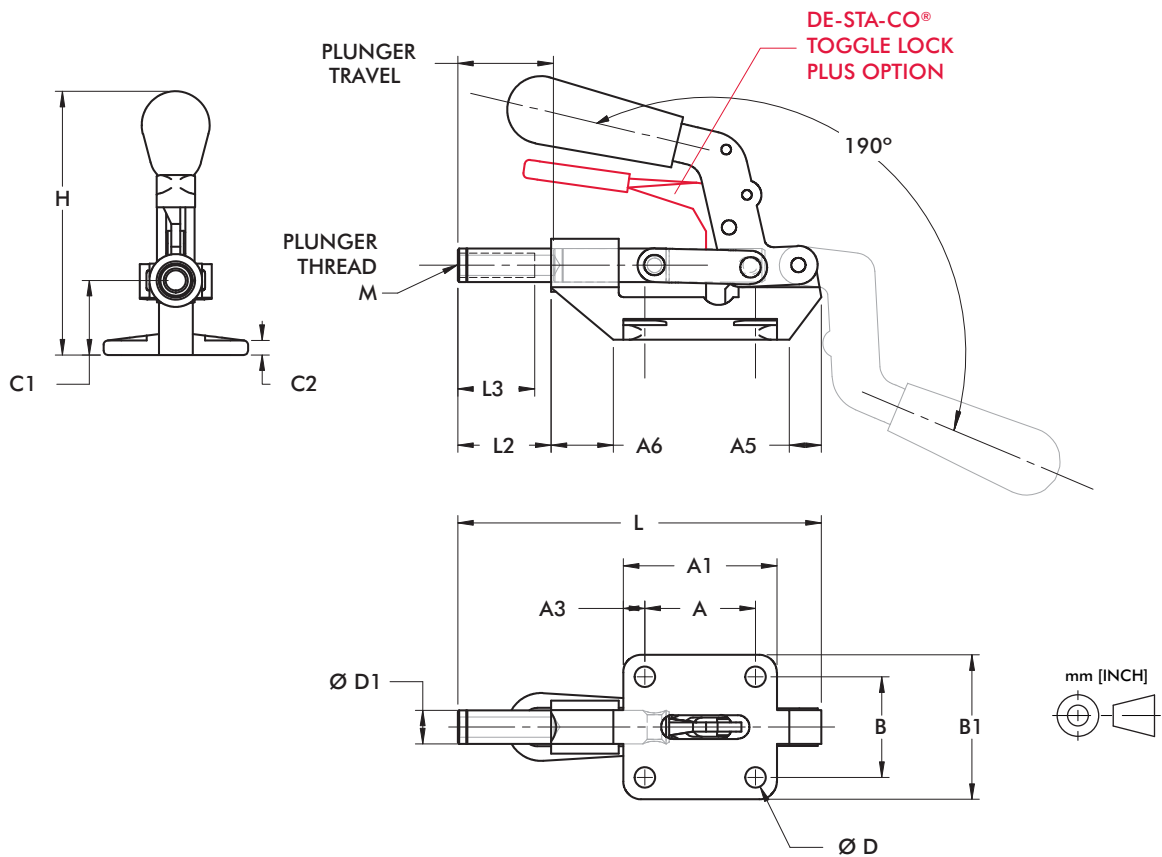
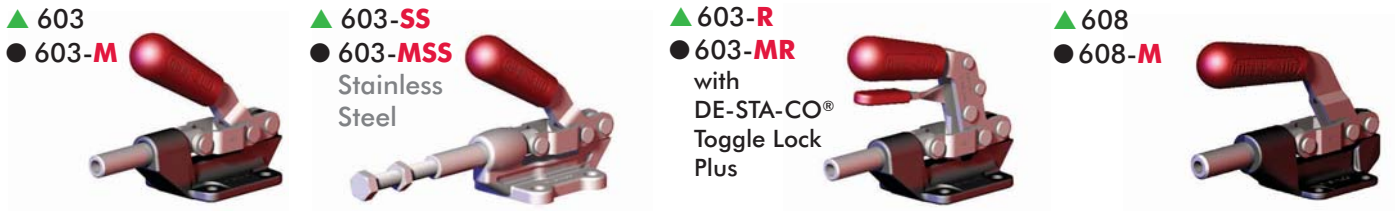


| Model     | Max. Holding Capacity | Weight             | EF:AF (pushing/pulling) | Plunger Travel | (M) Plunger Thread | Recommended Spindle (Not Supplied) |
|-----------|-----------------------|--------------------|-------------------------|----------------|--------------------|------------------------------------|
| ▲ 603     | [600 lbf]<br>2670 N   |                    |                         |                | 5/16-18            | 207203                             |
| ● 603-M   |                       |                    |                         |                | M8                 | 207203-M                           |
| ▲ 603-SS  | [840 lbf]<br>3740 N   | [0.83lb]<br>0,38kg | 23:1/34:1               | [1.25]<br>31,8 | 5/16-18            | 207943                             |
| ● 603-MSS |                       |                    |                         |                | M8                 | 207943-M (supplied)                |
| ▲ 603-R   | [600 lbf]<br>2670 N   |                    |                         |                | 5/16-18            | 207203                             |
| ● 603-MR  |                       |                    |                         |                | M8                 | 207203-M                           |
| ▲ 608     | [850 lbf]<br>3780 N   | [1.25lb]<br>0,57kg | 44:1/50:1               | [1.63]<br>41,3 | 3/8-16             | 210203                             |
| ● 608-M   |                       |                    |                         |                | M10                | 210203-M                           |

HC = Holding Capacity, EF = Exerting Force, AF = Applied Force  
 Preferred Market: ▲ NA/SA ■ Europe ● Global



## Series 603, 608 Standard Clamp Dimensions 603/608/-M/-SS/-MSS/-R/-MR



| Model   | A            | A1           | A3          | A5           | A6           | B            | B1           | C1           | C2          | D | D1          | H            | L             | L2            | L3            |
|---------|--------------|--------------|-------------|--------------|--------------|--------------|--------------|--------------|-------------|---|-------------|--------------|---------------|---------------|---------------|
| 603     |              |              |             | [0.58]<br>15 | [0.94]<br>24 |              |              |              |             |   |             |              | [4.73]<br>120 | [1.22]<br>31  |               |
| 603-M   |              |              |             | [0.62]<br>16 | [0.88]<br>22 |              |              |              |             |   |             |              | [4.80]<br>122 | [1.30]<br>33  |               |
| 603-SS  | [1.44]<br>37 | [2.00]<br>51 | [0.28]<br>7 | [0.58]<br>15 | [0.94]<br>24 | [1.31]<br>33 | [1.88]<br>48 | [0.97]<br>25 |             |   |             |              | [4.73]<br>120 | [1.22]<br>31  | [1.00]<br>25  |
| 603-MSS |              |              |             | [0.62]<br>16 | [0.88]<br>22 |              |              |              | [0.19]<br>5 |   | [0.27]<br>7 | [0.44]<br>11 | [3.43]<br>87  | [4.80]<br>122 | [1.30]<br>33  |
| 603-R   |              |              |             | [0.58]<br>15 | [0.94]<br>24 |              |              |              |             |   |             |              | [4.73]<br>120 | [1.22]<br>31  |               |
| 603-MR  |              |              |             | [0.62]<br>16 | [0.88]<br>22 |              |              |              |             |   |             |              | [4.80]<br>122 | [1.30]<br>33  |               |
| 608     | [1.63]<br>41 | [2.25]<br>57 | [0.31]<br>8 | [0.75]<br>19 | [1.40]<br>36 | [1.63]<br>41 | [2.25]<br>57 | [1.25]<br>32 |             |   |             |              | [0.33]<br>8   | [0.62]<br>16  | [4.12]<br>105 |
| 608-M   |              |              |             |              |              |              |              |              |             |   | [0.33]<br>8 | [0.62]<br>16 | [4.12]<br>105 | [6.00]<br>152 | [1.60]<br>41  |

Dimensions shown mm [inch]