

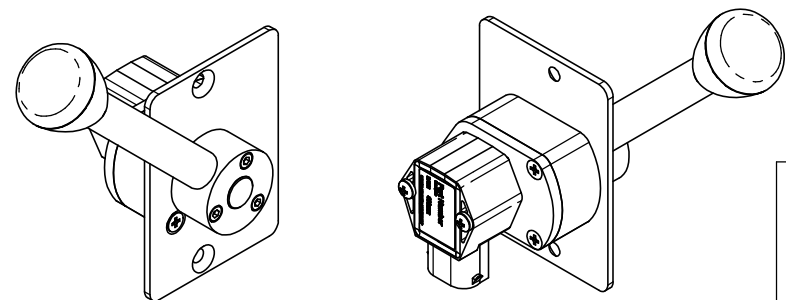
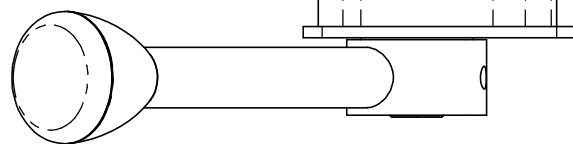
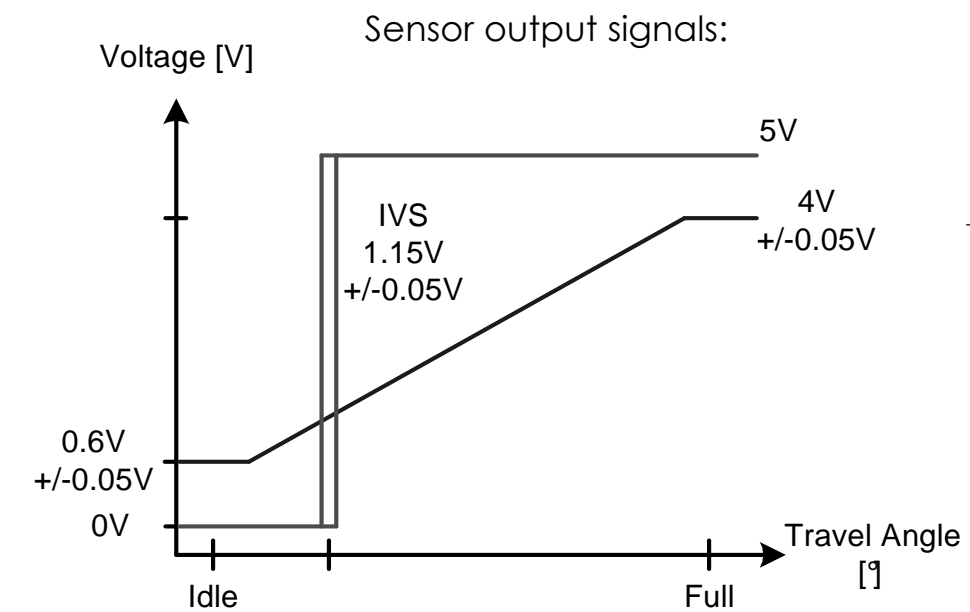
Wire side view

Connector : AMP Nr. 1-967616-1
 Terminals : AMP Nr. 0-0962885-5
 Wire seal : AMP Nr. 0-0967067-1

Perkins ECM analog + IVS connection

THROTTLE SENSOR PIN#
1
4
2
6
3
5

Perkins ECM PIN#						PIN DESCRIPTION
400F SERIES	854E SERIES	854F SERIES	1100C SERIES	1100D SERIES	1204E SERIES	
50	16	16	45	41	2	Analogue VREF +5V DC
47	60	60	25	54	66	Analogue Throttle Input 1
46	38	38	44	33	3	Analogue 0V GND
50	16	16	45	41	2	IVS VREF +5V DC
14	76	67	22	45	22	Idle Validation Switch 1
46	38	38	37	35	18	IVS 0V GND



!!! WARNING !!!
Connect throttle sensor ground to engine ECU ground terminals only.
DO NOT CONNECT TO CHASSIS GROUND

UNLESS OTHERWISE SPECIFIED: DIMENSIONS ARE IN MILLIMETERS TOLERANCES: LINEAR: +/- 1mm ANGULAR: +/- 1°		FINISH:	PROJECTION:	DO NOT SCALE DRAWING	SIZE: A3
DRAWN	JST	1/12/2017		PART NR: 975 190 L308	
CHK'D	LJY	1/12/2017		TITLE: Side Mounted Hand Throttle Analogue + IVS	
MATERIAL:			DWG NO. 505 719		REV: -
This drawing is confidential and remains the sole property of Mobile Control Systems S.A. This document is protected in accordance with the prevailing law.			WEIGHT: - gr	SCALE:1:2	SHEET 1 OF 1