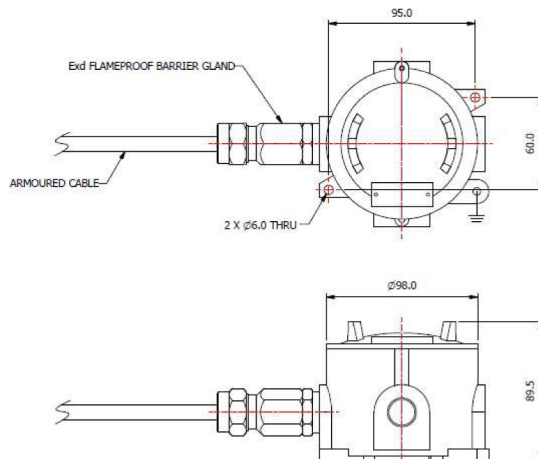




WORLDWIDE BV
Angle Sensor
Part Number: ANGES4130
Revision: 1.0

Specifications

Product Code Number	ANGES4130								
General	Boom angle sensor for offshore pedestal cranes								
Output Signal Type	Analogue								
Range	0 – 90°								
Operating Temperature	- 20°C to +60°C (tested to -30°C to +70°C)								
Enclosure Type	EEx d IIC T6 -20°C < Ta < +55°C								
Enclosure Certifications	LOM02ATEX2037 IECEX BKI 07.0026								
Dimensions	95mm dia x 89.5mm								
Excitation Voltage	Range 4.0 to 5.0 VDC regulated (provided by the system controller unit)								
Operating Range	+/- 45° (offset mounted to accommodate 0 - 90°)								
Accuracy	+/- 0.2°								
Cable Entry	M20 gland								
Mounting	Via mounting bracket kit provided								
Weight	1.8 kg (approx)								
Cable Entry	Ex d barrier gland								
Cable Certification	IECEX TSA 09.0024								
Wire Connections	<table border="0"> <tr> <td>Red</td> <td>Positive Excitation</td> </tr> <tr> <td>White</td> <td>Signal</td> </tr> <tr> <td>Black</td> <td>Negative Excitation</td> </tr> <tr> <td>Green</td> <td>No connect</td> </tr> </table>	Red	Positive Excitation	White	Signal	Black	Negative Excitation	Green	No connect
Red	Positive Excitation								
White	Signal								
Black	Negative Excitation								
Green	No connect								
Expected Resistances	High ohms or open circuit between any of the wires and chassis or shield								



WORLDWIDE BV

Parts Supply Worldwide BV

Phone: 00-31-348-468505 | Fax: 00-31-348-468536 | E-mail: Info@parts-supply.nl Website: www.parts-supply.nl

Parts Supply Worldwide BV - Bierbrouwersweg 25 - 3449 HW Woerden -The Netherlands