

# unidirectional pump - series XV

**XV-2P**

STANDARD EUROPEAN PUMP  
 ø36.5 FLANGE - TAPER SHAFT



<b>X</b>	<b>2</b>	<b>P</b>	<b>51</b>	<b>02</b>	<b>E</b>	<b>C</b>	<b>B</b>	<b>A</b>
Series	X	series XV						
Group	2	group 2						
Category	P	unidirectional pump						
Displacement	51	17						
Flange	02	Ø36.5 STANDARD EUROPEAN right rotation						
Shaft	E	CO001 - Tapered 1:8 - ø17.4 - M12x1.5 - key thk.4						
Body	IN	C	inlet - 3/4" GAS					
	OUT	B	outlet - 1/2" GAS					
Cover	A	standard						

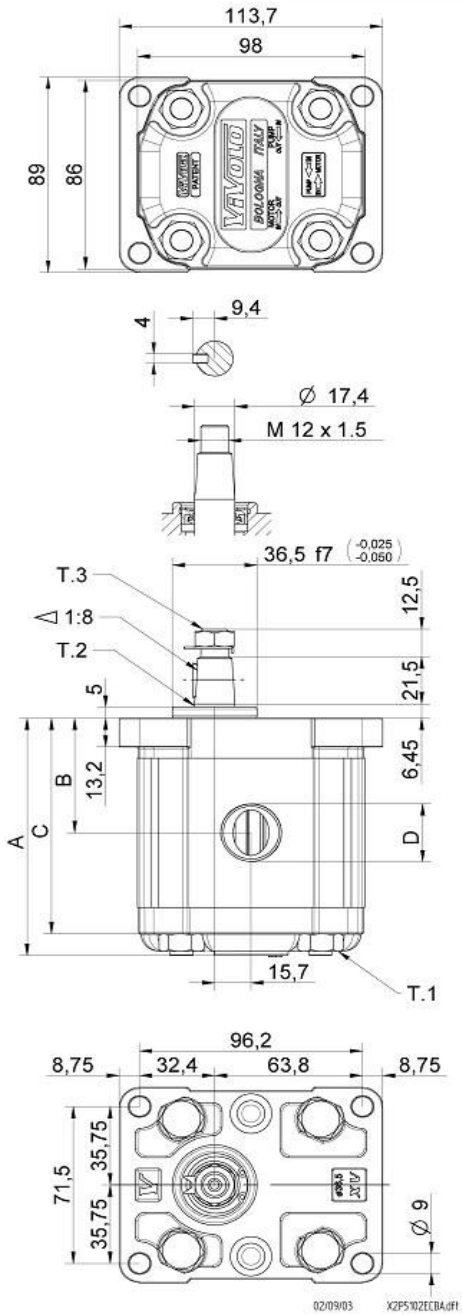


Reference **XP207**

Technical data table							
TYPE	Displacement cm3/rev	Max. Pressure		CODE			
		P1 bar	P3 bar	Left rotation		Right rotation	
XV-2P/04	4,20	260	300	X 2 P 41 01	E B B A	X 2 P 41 02	E B B A
XV-2P/06	6,00	260	300	X 2 P 43 01	E B B A	X 2 P 43 02	E B B A
XV-2P/09	8,40	260	300	X 2 P 45 01	E B B A	X 2 P 45 02	E B B A
XV-2P/11	10,80	260	300	X 2 P 47 01	E B B A	X 2 P 47 02	E B B A
XV-2P/14	14,40	250	290	X 2 P 49 01	E C B A	X 2 P 49 02	E C B A
XV-2P/17	16,80	230	270	X 2 P 51 01	E C B A	X 2 P 51 02	E C B A
XV-2P/19	19,20	210	250	X 2 P 53 01	E C B A	X 2 P 53 02	E C B A
XV-2P/22	22,80	200	240	X 2 P 55 01	E C B A	X 2 P 55 02	E C B A
XV-2P/26	26,20	170	210	X 2 P 57 01	E D C A	X 2 P 57 02	E D C A
XV-2P/30	30,00	160	200	X 2 P 59 01	E D C A	X 2 P 59 02	E D C A
XV-2P/34	34,20	150	190	X 2 P 61 01	E D C A	X 2 P 61 02	E D C A
XV-2P/40	39,60	140	180	X 2 P 63 01	E D C A	X 2 P 63 02	E D C A

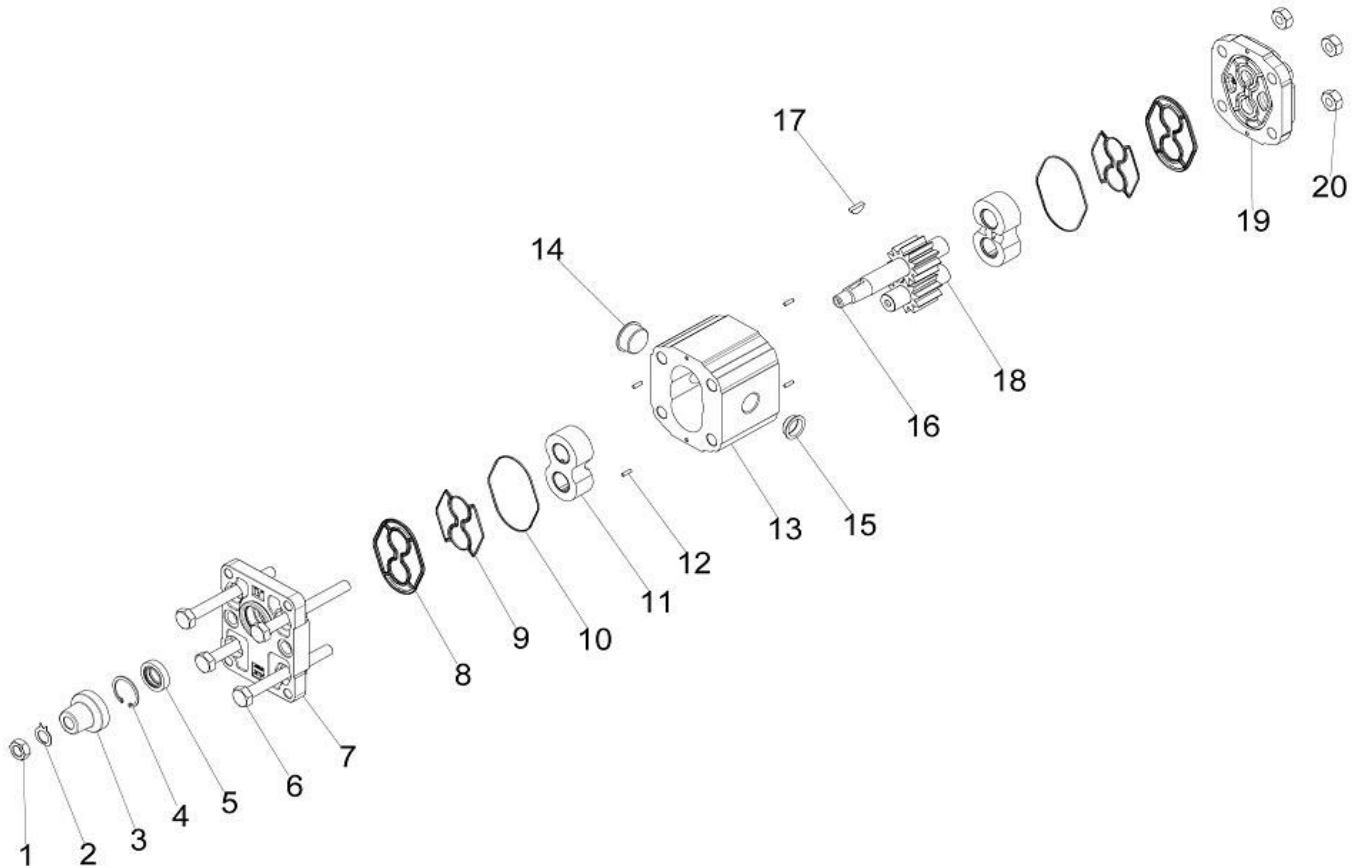
P1) Max. working pressure - P3) Max. peak pressure  
 For heavy-duty applications, it is recommended to check the admissible torque of the shaft

Dimensions table						
TYPE	Weight	A	B	C	D	D
	kg	mm	mm	mm	IN	OUT
XV-2P/04	2,200	87,2	41,7	77,2	1/2" BSPP	1/2" BSPP
XV-2P/06	2,300	90,2	43,2	80,2	1/2" BSPP	1/2" BSPP
XV-2P/09	2,400	94,2	45,2	84,2	1/2" BSPP	1/2" BSPP
XV-2P/11	2,500	98,2	47,2	88,2	1/2" BSPP	1/2" BSPP
XV-2P/14	2,700	104,2	50,2	94,2	3/4" BSPP	1/2" BSPP
XV-2P/17	2,800	108,2	52,2	98,2	3/4" BSPP	1/2" BSPP
XV-2P/19	2,900	112,2	54,2	102,2	3/4" BSPP	1/2" BSPP
XV-2P/22	3,050	118,2	57,2	108,2	3/4" BSPP	1/2" BSPP
XV-2P/26	3,150	122,2	59,2	112,2	1" BSPP	3/4" BSPP
XV-2P/30	3,400	130,2	63,2	120,2	1" BSPP	3/4" BSPP
XV-2P/34	3,600	137,2	66,7	127,2	1" BSPP	3/4" BSPP
XV-2P/40	3,800	146,2	71,2	136,2	1" BSPP	3/4" BSPP



T.1 = 54÷58.9 [Nm] - screw tightening torque M10  
 T.2 = 233.2 [Nm] - admissible shaft torque (N.B. When choosing a shaft, always check the admissible torque).  
 T.3 = 40 [Nm] - torque wrench setting 19

Example of ordering code:

**X2P5102ECBA**      XV2P/17 - Ø36.5 /D - CO001 - 3/4" BSP - 1/2" BSP - .


Basic list				
Pos.	Item description	Item	Size	Quantity
1	NUT M12x1,5 H=7 CH.17	200.0157.A	0	1
2	TAB WASHER ø12,5xø19 - CO001-CO002 XV2	200.0150.A	0	1
3	KEY PROTECTION XV2	590.0010.A	0	1
4	ø29 INTERNAL SNAP RING DIN 472	560.0020.A	0	1
5	OIL SEAL 17.46 x 28.58 x 5.8/6.3 TCV (BAB SL)	690.0030.A	0	1
6	WHITE GALVANISED SCREW TE M10x105 UNI 5737 8.8	531.0010.A	L105	4
7	XV2 ø36,5 FLANGE	200.0238.A	0	1
8	INJECTION-MOLDED SEAL XV2 (NBR 70+75 SH)	200.0190.C	0	2
9	XV2 BACK-UP ELEMENT FOR BALANCING	200.0191.A	0	2
10	EXTERNAL BACK-UP ELEMENT XV2	200.0194.A	0	2
11	KV2P BUSH H=20	200.0012.A	0	2
12	PIN ø3x9,8	570.0005.A	0	4
13	BODY W/THREAD BSP STANDARD - cc=17	200.0038.A	H68	1
14	PLASTIC PLUG ø25	580.0001.A	D25	1
15	PLASTIC PLUG ø19	580.0001.A	D19	1
16	CO001 - TAPERED 1+8 DRIVING GEAR	200.0009.A	CC17	1
17	WOODRUFF KEY ø16x4 H=6,5	200.0141.A	0	1
18	COND2 - PERFORATED DRIVEN GEAR	200.0010.A	CC17	1
19	STANDARD XV2 COVER	200.0237.A	0	1
20	WHITE GALVANISED NUT M10 H=10 UNI 5587	540.0005.A	0	4