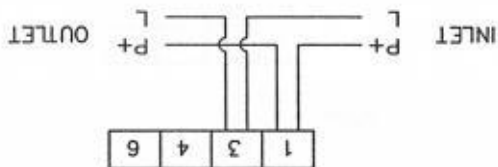


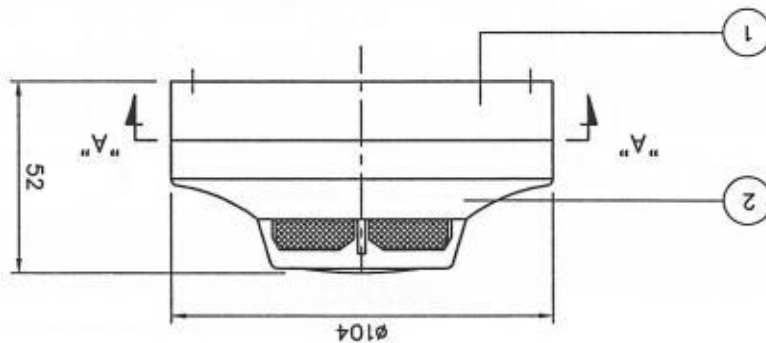
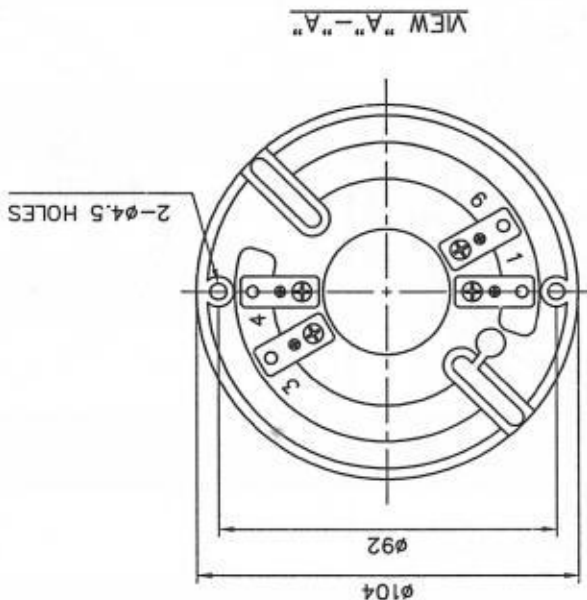
- TYPE : OPTICAL-ELECTRONIC
- COLOR : DETECTOR-WHITE
- RATED VOLTAGE : DC 18V ~ 26V
- RATED CURRENT : 2mA
- WEIGHT : 0.5kg
- CERTIFICATE : KR/KG



CONNECTION

SPECIFICATION

NO.	DESCRIPTION	MATERIAL	Q'TY	REMARK
1	BASE	ABS	1	
2	SMOKE DETECTOR HEAD	ABS	1	



SMOKE DETECTOR (N.W.T)

GO WITH SEAPLUS FOR YOUR SAFETY