

Flow Switch

FF-015RMS-125/-138

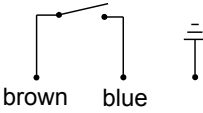


- Adjusted switching value
- Highly reproducible
- Insensitive to dirt

Characteristics

The volume flow raises a piston (fitted with a magnet) out from a valve seat against a spring force. The piston actuates a hermetically separated reed switch.

Technical data

Switch	reed switch
Process connection	male thread 1"-14UNS
Adjustment	for details see table "Adjustment"
Q _{max.}	
Tolerance	±3 % of the switching value, minimum ±0.3 l/min
Pressure resistance	PN 200 bar
Medium temperature	-20..+100 °C
Ambient temperature	-20..+70 °C
Media	water (oils available on request)
Wiring	normally open (n.o.) no. 0.212 
Switching voltage	max. 230 V AC
Switching current	max. 1 A
Switching capacity	max. 50 VA
Protection class	1 - PE connection
Ingress protection	IP 65
Electrical connection	silicon cable 0,95 m
Materials medium-contact	CW614N, CR 70, CuSn 8, hard ferrite
Non-medium-contact materials	PA, PVC, Silicon

Weight	see table "Dimensions and weights"
Installation location	Standard: horizontal inwards flow; switching head not recommended underneath; other installation positions are possible; the installation position affects the switching point and range.

Adjustment

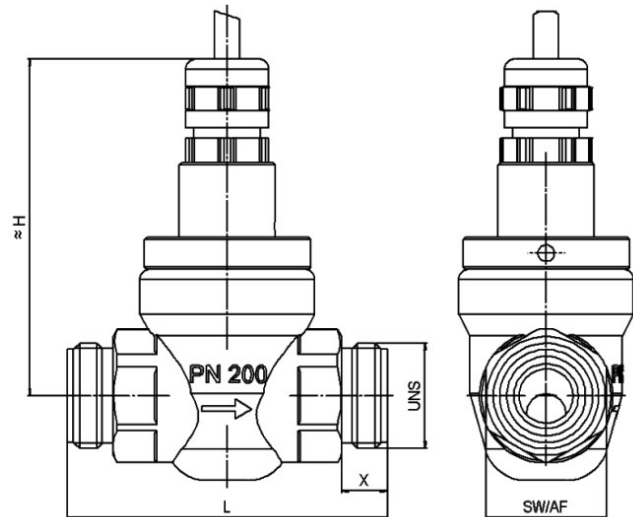
Details in the table correspond to horizontal inwards flow with decreasing flow rate.

UNS	DN	Switching point l/min H ₂ O	Types	Q _{max.} recommended
1"-14 UNS	DN 15	6	FF-015RMS-138	20
1"-14 UNS	DN 15	10	FF-015RMS-125	20

Special ranges are available

Dimensions and weights

UNS	Types	H	L	SW	X	Weight kg
1"-14 UNS	FF-015RMS...	79	77	29	11	0,668



Product Information

Handling and operation

- Include straight calming section of 5 x DN in inlet and outlet
- If the media are dirty, install a filter (use magnetic filter for ferritic components).
- It must be ensured that the values given for voltage, current, and power are not exceeded.
- When switched on, a load must be connected in series. The electrical details apply to ohmic loads. Capacitive, inductive and lamp loads must be operated using a protective circuit.

Ordering code

FF - 1. 2. 3. 4.
 RMS

○ = Option

1. Nominal width	015	DN 15 - 1"-14UNS
2. Connection material	RMS	brass
3. Special device number - Switching point H₂O l/min	138	6 l/min
	125	10 l/min
4. Wiring	S	'normally open', no. 0.212

Options

- Adjustment for oil
- Special values

Ordering information

- Specify direction of flow, medium, and switching point.
- For oils, state viscosity, temperature and designation (e.g. ISO VG 68) (enquire about range).