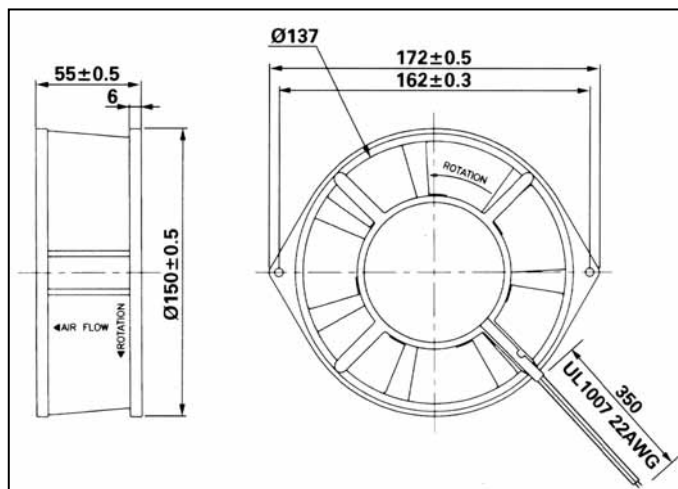




FAN SERIES **A17M** 172x150x55mm - a.c. M00 design



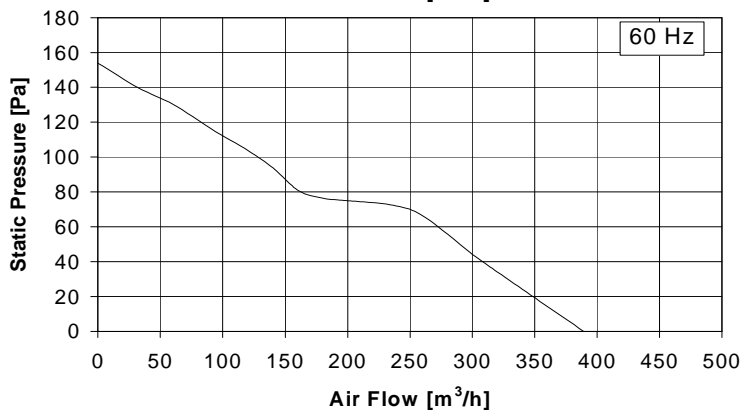
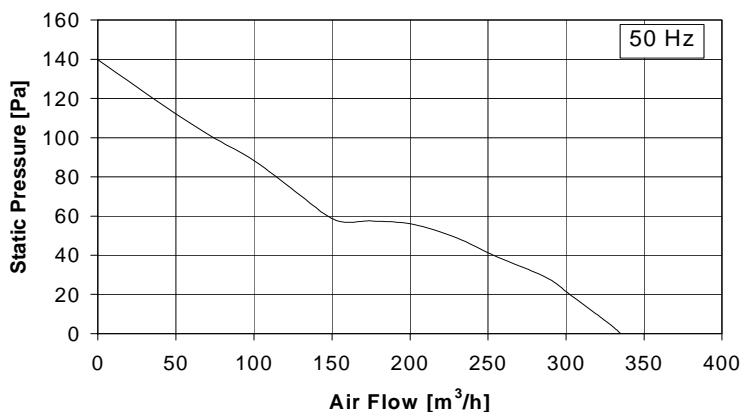
DRAWING



FEATURES

- Aluminium fan casing and metal impeller.
- Shaded-pole motor. thermally protected against running overload.
- Electrical connection via 2 leads UL1007 22AWG.
No 1 M4 thread on the casing for earth connection.
- Rated temperature range:
Ball bearing from -40°C to +70°C
- Service life L10:
Ball bearing 40,000 hours at 40°C
20,000 hours at t max
- Weight 1095g.

AIR FLOW CURVES



Please refer to our terms of sales including our warranty and limited liabilities clauses.

Model	Rated Voltage [V]	Frequency [Hz]	Input Power [W]	Speed [rpm]	Air Flow [m3/h]	Static Pressure [Pa]	Noise [dB(A)]	Approvals		
								UL	CUL	VDE
A17M12SWBM00	115	50/60	42/42	2800/3250	332/391	137/157	49.0/53.0	A	A	A
A17M23SWBM00	230	50/60	42/42	2800/3250	332/391	137/157	49.0/53.0	A	A	A

A= Approved, P= Pending



Fandis S.p.A. Via per Castelletto, 69
28040 Borgoticino (No) Italy
Tel. +39 0321 96.32.32 Fax +39 0321 96.32.96
info@fandis.it • www.fandis.it

COMPANY WITH QUALITY SYSTEM
CERTIFIED BY DNV
= ISO 9001/2000 =

All specifications, data and drawings are subject to change without notice and are approximate.

CSV-Q21/3