

CIRCULATION TANK HEATER

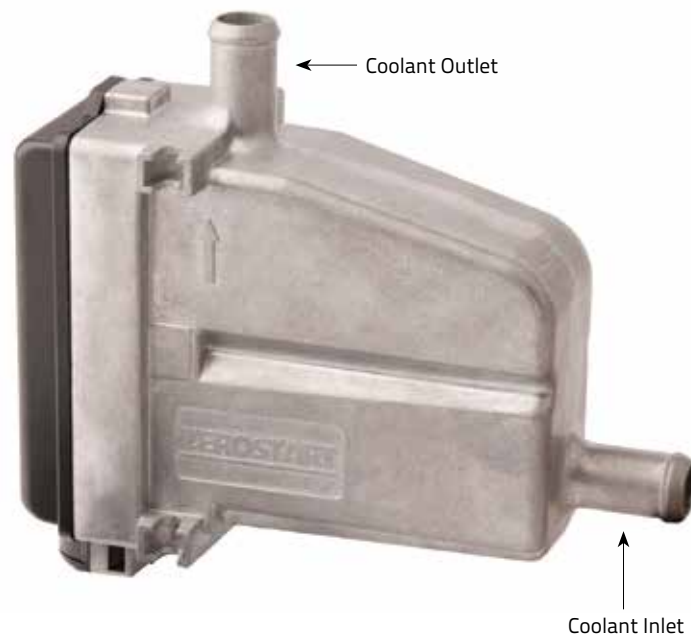
Circulation tank heaters provide dependable pre-heating for engine starts in all temperatures by circulating warmed coolant throughout the engine.

BENEFITS

- Provides engine warming for quick, clean starts
- Reduces time to reach operating temperature
- Enhances immediate full-load acceptance
- Durable aluminum housing is corrosion and impact resistant
- Controls temperature by using a regulating thermostat
- UL Listed, UL Recognized, CSA, and CE Certified
- *UL Recognized (models without plugs) for OEM use only
- *CSA models with plugs only

WHERE TO USE

- Diesel & Gas Gensets
- Compressors
- Agriculture



FEATURES

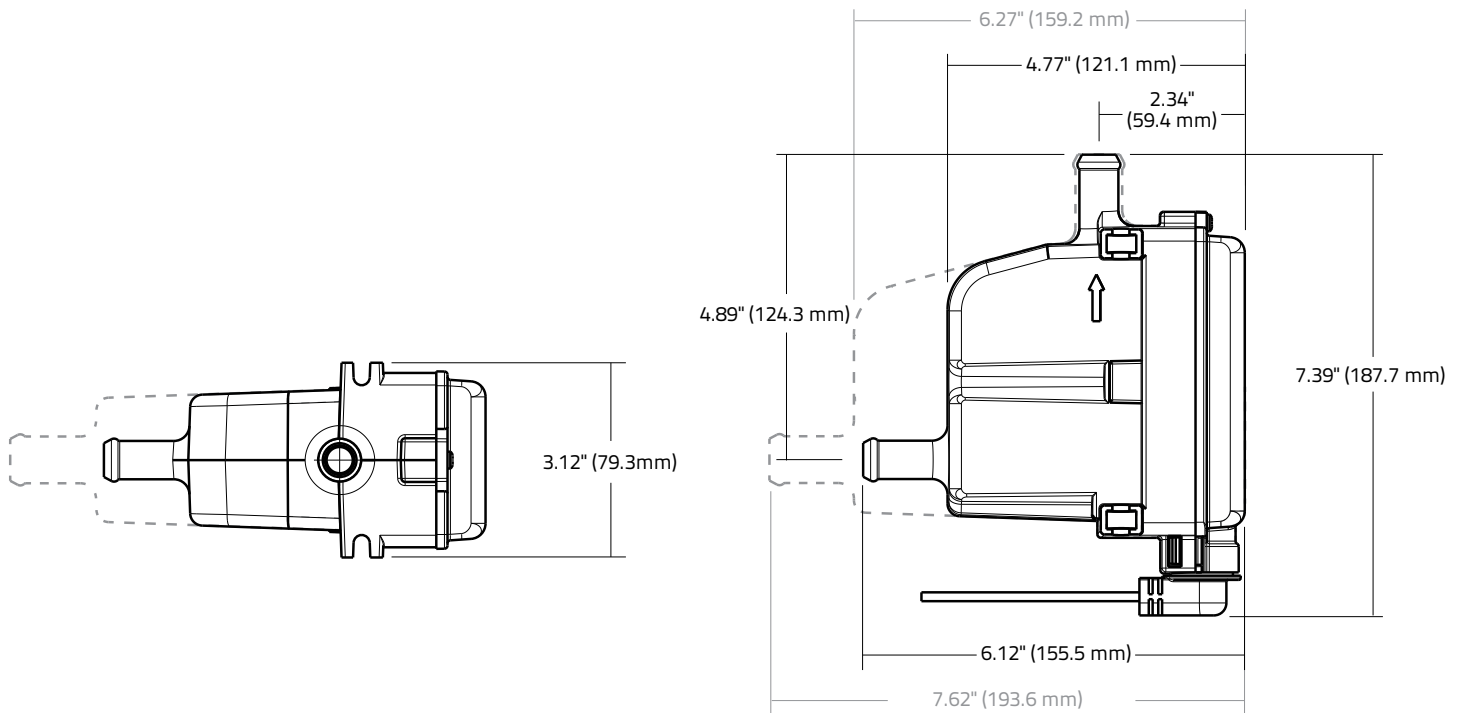
- Rugged die cast, one-piece, aluminum construction
- Regulating thermostat with automatic reset
- Safety overheat thermostat with automatic reset
- 5 ft. (1.52 m) or 12 ft. (3.65 m) power cords available
- Available in 120, 230, 240 volt versions
- **Thermostat Ranges:**
 - 60°-80°F (16°-27°C)
 - 80°-100°F (27°-38°C)
 - 100°-120°F (38°-49°C)
- 750 W-1500 W using 5/8" (16 mm) hose connections and 1500 W – 2250 W using 3/4" (19 mm) hose connections
- Available with or without electrical plugs

PHILLIPS & TEMRO
industries[®]

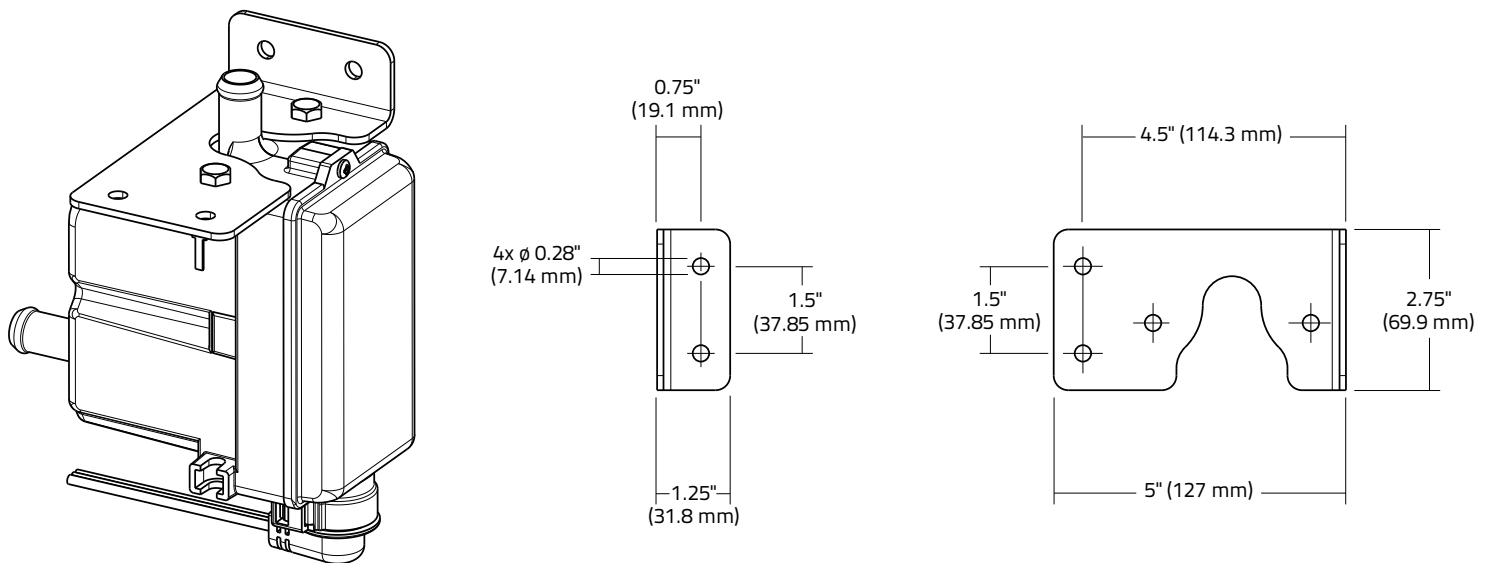
phillipsandtemro.com

CIRCULATION TANK HEATER

HEATER DIMENSIONS



TYPICAL MOUNTING BRACKET INSTALLATION AND DIMENSIONS (4 Possible Orientations)



Rue du Roua 70
4141 Sprimont, Belgium
Phone number: +32 4 384 01 97
saleseu@phillipsandtemro.com

LIT0099P 0219 ©2019 Phillips & Temro Industries

PHILLIPS & TEMRO
industries®

phillipsandtemro.com

CIRCULATION TANK HEATER

PARTS LIST: UL LISTED AND/OR CSA CERTIFIED

Part Number	Volts	Watts	Inlet/Outlet Size	Power Cord Length	Tank Size	Plug Type	UL Listed	CSA
Regulating Thermostat: On 60° F (16° C) / Off 80° F (27° C)								
3305028	120	750	5/8" (15.8 mm)	5' (1.5 m)	Small	NEMA 5-15	-	✓
3305040	120	1000	5/8" (19 mm)	5' (1.5 m)	Small	NEMA 5-15	-	✓
3305052	120	1500	3/4" (19 mm)	5' (1.5 m)	Large	NEMA 5-15	-	✓
3305004	120	2250	3/4" (19 mm)	7' (2 m)	Large	NEMA 5-20	-	✓
Regulating Thermostat: On 80° F (27° C) / Off 100° F (38° C)								
3305032	120	750	5/8" (15.8 mm)	5' (1.5 m)	Small	NEMA 5-15	-	✓
3305044*	120	1000	5/8" (15.8 mm)	5' (1.5 m)	Small	NEMA 5-15	-	✓
3309040	120	1000	5/8" (15.8 mm)	5' (1.5 m)	Small	NEMA 5-15	✓	✓
3309043	120	1500	3/4" (19 mm)	5' (1.5 m)	Large	NEMA 5-20	✓	✓
3305056	120	1500	3/4" (19 mm)	5' (1.5 m)	Large	NEMA 5-15	-	✓
3309048	240	1000	5/8" (15.8 mm)	5' (1.5 m)	Small	NEMA 6-15	✓	✓
3309052	240	1500	3/4" (19 mm)	5' (1.5 m)	Large	NEMA 6-15	✓	✓
3309055	240	2250	3/4" (19 mm)	5' (1.5 m)	Large	NEMA 6-15	✓	✓
3309056	240	2250	3/4" (19 mm)	12' (3.6 m)	Large	NEMA 6-15	✓	✓
Regulating Thermostat: On 100° F (38° C) / Off 120° F (49° C)								
3305036	120	750	5/8" (15.8 mm)	5' (1.5 m)	Small	NEMA 5-15	-	✓
3305048*	120	1000	5/8" (15.8 mm)	5' (1.5 m)	Small	NEMA 5-15	-	✓
3309041	120	1000	5/8" (15.8 mm)	12' (3.6 m)	Small	NEMA 5-15	✓	✓

CIRCULATION TANK HEATER

Part Number	Volts	Watts	Inlet/Outlet Size	Power Cord Length	Tank Size	Plug Type	UL Listed	CSA
3309042	120	1000	5/8" (15.8 mm)	5' (1.5 m)	Small	NEMA 5-15	✓	✓
3305060	120	1500	3/4" (19 mm)	5' (1.5 m)	Large	NEMA 5-15	-	✓
3309047	120	1500	3/4" (19 mm)	5' (1.5 m)	Large	NEMA 5-20	✓	✓
3309046	120	1500	3/4" (19 mm)	12' (3.6 m)	Large	NEMA 5-20	✓	✓
3309049	240	1000	5/8" (15.8 mm)	5' (1.5 m)	Small	NEMA 6-15	✓	✓
3309050	240	1000	5/8" (15.8 mm)	12' (3.6 m)	Small	NEMA 6-15	✓	✓
3309053	240	1500	3/4" (19 mm)	5' (1.5 m)	Large	NEMA 6-15	✓	✓
3309054	240	1500	3/4" (19 mm)	12' (3.6 m)	Large	NEMA 6-15	✓	✓
3309057	240	2250	3/4" (19 mm)	5' (1.5 m)	Large	NEMA 6-15	✓	✓
3309058	240	2250	3/4" (19 mm)	12' (3.6 m)	Large	NEMA 6-15	✓	✓

*3305044 will be replaced with 3309040

*3305048 will be replaced with 3309042

CIRCULATION TANK HEATER

PARTS LIST: CE CERTIFIED

Part Number	Volts	Watts	Inlet/Outlet Size	Power Cord Length	Tank Size	Regulating Thermostat	Plug Type	Certifications
33E0012	230	750	15.8 mm (5/8")	1.5 m (5')	Small	On 38°C (100°F) / Off 49°C (120°F)	Hard wire	CE
33E5020	230	750	15.8 mm (5/8")	1.5 m (5')	Small	On 38°C (100°F) / Off 49°C (120°F)	CEE7/7 PLUG	CE
33E5018	230	1000	15.8 mm (5/8")	1.5 m (5')	Small	On 38°C (100°F) / Off 49°C (120°F)	Hard wire	CE
33E5021	230	1000	15.8 mm (5/8")	1.5 m (5')	Small	On 38°C (100°F) / Off 49°C (120°F)	CEE7/7 PLUG	CE
33E5019	230	1500	15.8 mm (5/8")	1.5 m (5')	Small	On 38°C (100°F) / Off 49°C (120°F)	Hard wire	CE
33E5022	230	1500	15.8 mm (5/8")	1.5 m (5')	Small	On 38°C (100°F) / Off 49°C (120°F)	CEE7/7 PLUG	CE
33E5001	230	1500	19 mm	1.5 m (5')	Large	On 38°C (100°F) / Off 49°C (120°F)	Hard wire	CE
33E5003	230	1500	19 mm	1.5 m (5')	Large	On 38°C (100°F) / Off 49°C (120°F)	CEE7/7 PLUG	CE
33E5002	230	2250	19 mm	1.5 m (5')	Large	On 38°C (100°F) / Off 49°C (120°F)	Hard wire	CE
33E5004	230	2250	19 mm	1.5 m (5')	Large	On 38°C (100°F) / Off 49°C (120°F)	CEE7/7 PLUG	CE