

**ECKARDT invensys**

**SRI990-CIMSTEAA-Y**

FABR.No  
SER.No **94 / 028165**

ZULUFT / SUPPLY : max. 6 / 90 bar / psi

EINFACH / SINGLE  DOPPELT / DOUBLE

INGANG / INPUT 4 ... 20 mA



[0102]

PTB 02 ATEX 2206 TYPE A I 636  
II 2 G EEx ia/ib IIB/IIC T4/T6

U I II Pt Cl Li Turm. Tu max.

siehe Betriebsanleitung / see Instruction Manual



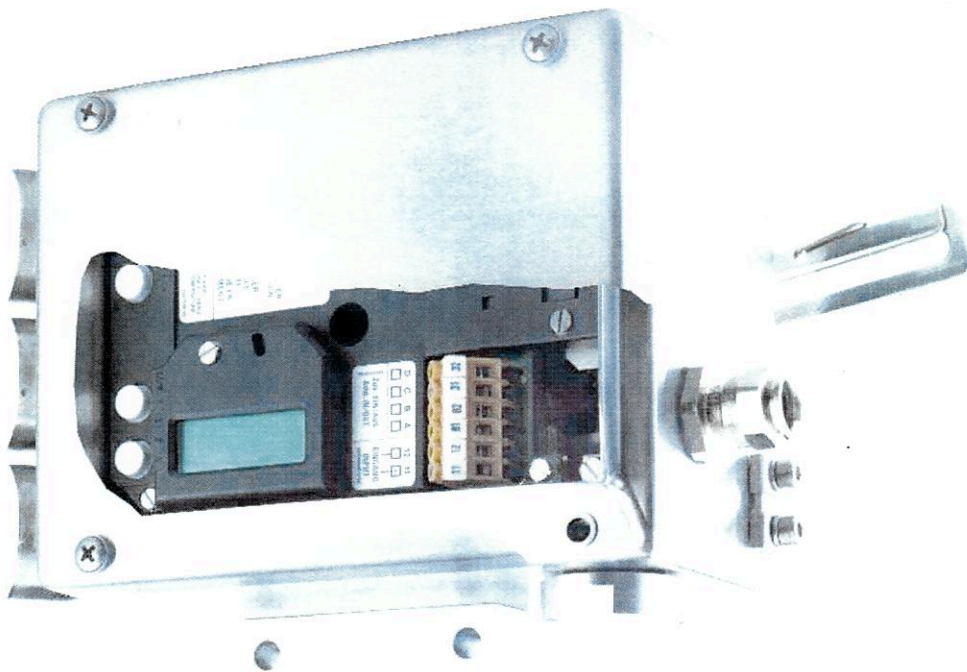
Made in France by Eckardt S.A.S., F-68366 Soultz

ZUSÄTZLICHE EIN- / AUSSGANGE  
ADDITIONAL INPUTS / OUTPUTS

REV.  
1.4

(4)

# Stainless Steel Housing for Positioners SRD991-SR1990



## Rugged and compact design

Positioner in a rugged stainless steel housing and an extensive choice of electronic boards from SR1990 or SRD991.

Electronic board from the SRD991 digital valve positioner:

• Easy to operate, menu-driven graphical LCD

• Multilingual full text display

• HART Protocol

• PROFIBUS-PA

• FOUNDATION Fieldbus H1

with PID, AO, 2xDI, DO function blocks and LAS functionality

Electronic board from the SR1990 analog valve positioner:

• Analog valve control with fast control behavior

• Electrical adaption of zero and span by potentiometers

The modular concept of the positioners SR1990 - SRD991:

• Easy mounting to all linear and rotary actuators

• Options:
 

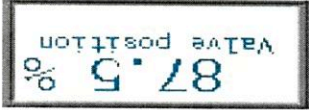
- Position transmitter
- Gauge manifolds
- Pressure sensors for outputs (SRD991)



Diagnosis report



Configuration



Operation



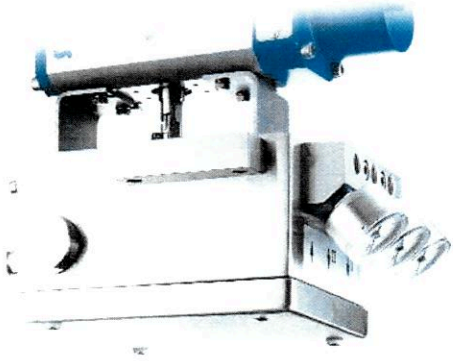
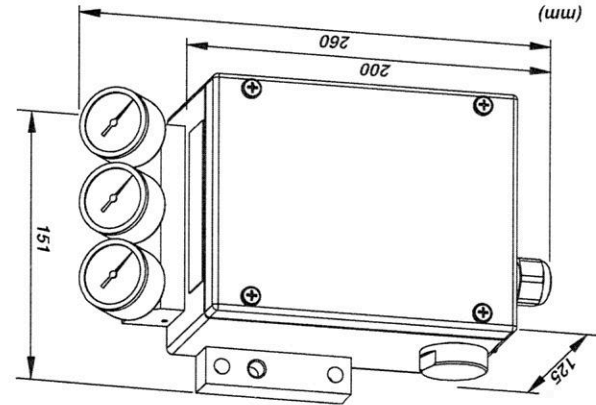
Special corrosion resistant design for offshore applications and for food and beverage industries.

**How to order**  
 Select "option -Z" in SR1990 or SRD991 model code.

The SRD991 offers the most advanced technology available on the market today. This includes among others a multi-lingual full-text graphic LCD and an availability with the choice of all in the process automation applied communication protocols. It offers enhanced applications and methods to analyze recorded stroke data.

The advanced diagnostic can be partially shown on the local LCD of the positioner or fully on a PC or a DCS workstation like IA Series System thanks to DTM based software VALcare.

**Technical Data**



Example for mounting on rotary actuators.

- Stainless Steel Housing
- Material
- Protection class
- Impact resistance
- Seals
- Weight (complete positioner)
- Pneumatic connection
- Electrical Connection
- with SRD991 electronic Intelligent

**Optional Features**

- (plug & play)
- with SR1990 electronic Analog

- Characteristic of setpoint
- DIP switches for
- General technical data

- Air Supply
- Stroke Range
- Angle of Rotation
- Electrical Classification ATEX
- Ambient Temperature
- Attachment to linear actuators
- rotary actuators

- Stainless Steel 1.4404 / 316, 1.25 mm
- IP 66 acc. to EN 60529
- 7 Joule acc. to EN 50014
- VMQ (Silicone)
- 3.5 kg
- 1/4-18 NPT on manifold, prepared for gauges (option)
- M20 x 1.5 or 1/2-14 NPT (others with Adapter AD...)
- Autostart with self calibration
- Self-diagnostics
- Advanced diagnostics for valve predictive maintenance
- Multilingual Graphical LCD with full text display
- Configuration of characteristic curves
- Travel-stop and cut-off functions
- without Communication
- Setpoint 4-20 mA
- Load 300 Ohm
- HART
- Setpoint 4-20 mA
- Load 420 Ohm
- PROFIBUS PA and FOUNDATION Fieldbus H1
- Fieldbus Protocol acc. to IEC 1158-2 (FISCO)
- Base current 10.5 mA ± 0.5 mA
- FDE (Fault Disconnection Electronic)
- FoxCom Digital
- Position Transmitter (4 to 20 mA)
- Binary Inputs or Binary Outputs or
- External potentiometer
- Setpoint 4 to 20 mA
- Load 300 Ohm
- linear
- Direction of rotation, Signal range, Split range ...
- 1.4 to 7 bar (20 to 105 psig)
- 8 to 260 mm (0.3 to 10.2 in) with standard lever
- up to 95 degree angle (optional up to 300 degree)
- "Intrinsic safety" II 2 G EEx ia IIC T4 / T6
- 40 to +80 °C (-40 to +176 °F)
- acc. to IEC 534 part 6 (NAMUR) and VDI/VDE 3847
- acc. to VDI/VDE 3845 and VDI/VDE 3847
- any other linear or rotary actuator by means of extensive attachment kit offering

