

## Muting Controller for Safety Single Beam

**F3SP-U5P-TGR**


- High functionality (two independent muting functions, override function, automatic and manual reset).
- Category 2.
- Only 45 mm width
- Double output safety relay.
- 6 LED for status and diagnostics.
- Detachable terminals for easy installation.
- Controls 1, 2, 3 or 4 E3FS sensors
- TÜV approved

*Muting controller for one, two, three or four Safety Single Beam.*




## List of Models

## Controller

Description	Model
 Muting Controller for Safety Single Beam E3FS	F3SP-U5P-TGR

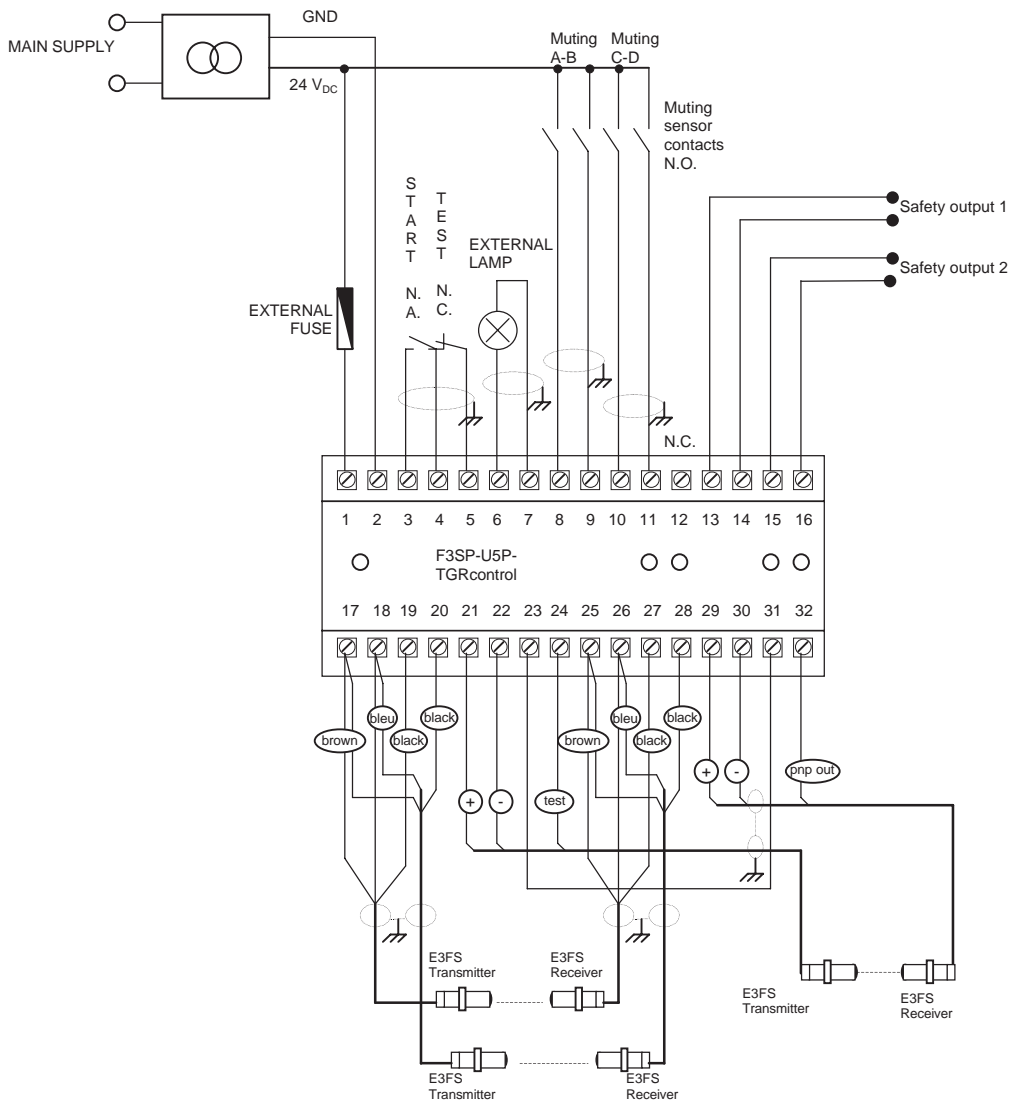
## Accessories

Description	Model
 Muting lamp	F39-A11

## Rating / performance

	F3SP-U5P-TGR
Power supply voltage	24 V DC $\pm$ 10%
Power consumption	420 mA max.
Output contacts	2 NO 2.5 A (protected by fuse), 250 V AC max.
Indicators	6 LED for status and diagnostics
Enclosure rating	IP20
Terminal	32 screw terminals (1,5 mm <sup>2</sup> ), detachable blocks with '4' screws each
Response time	$\leq$ 30 ms
Ambient temperature	Operating: -10 °C + 55 °C
Housing material	Plastic, DIN rail mounting
Weight	0,3 kg

## Wiring Example



F3SP-U5P-TGR

## Dimensions

