

## 12 DDL 02

### Linecard for 12 Digital Intercom Stations



#### Main features

- Management of up to 12 digital intercom stations
- Permanent monitoring of the connected intercom stations and connection cables (interruptions, short circuits)
- Green LED to indicate operation, red LED to indicate failures
- One green LED per each intercom station to indicate incoming and outgoing AF signals
- One red LED per each intercom station to indicate specific intercom station failures

The digital linecard 12 DDL 02 is an essential part of the INDUSTRONIC communication and public address system with digital interfaces. It serves as interface between the digital intercom stations and the exchange control board and passes on the digitized AF signals as well as the control signals.

Furthermore, the 12 DDL 02 supplies the connected intercom stations with power.

#### Additional features

- Digital line interface for each connectable intercom station to transmit the digitized AF signals and control signals
- Galvanic separation between transmission lines and electronics
- HDLC interface for the communication with the exchange control board
- Supply of the intercom stations with max. 100 mA
- Watchdog reset
- Transmission of digitized AF signals to and from the exchange control board with 2 MBit/s
- Easy to service connection of intercom stations by a 25-pin Sub-D plug at the front plate

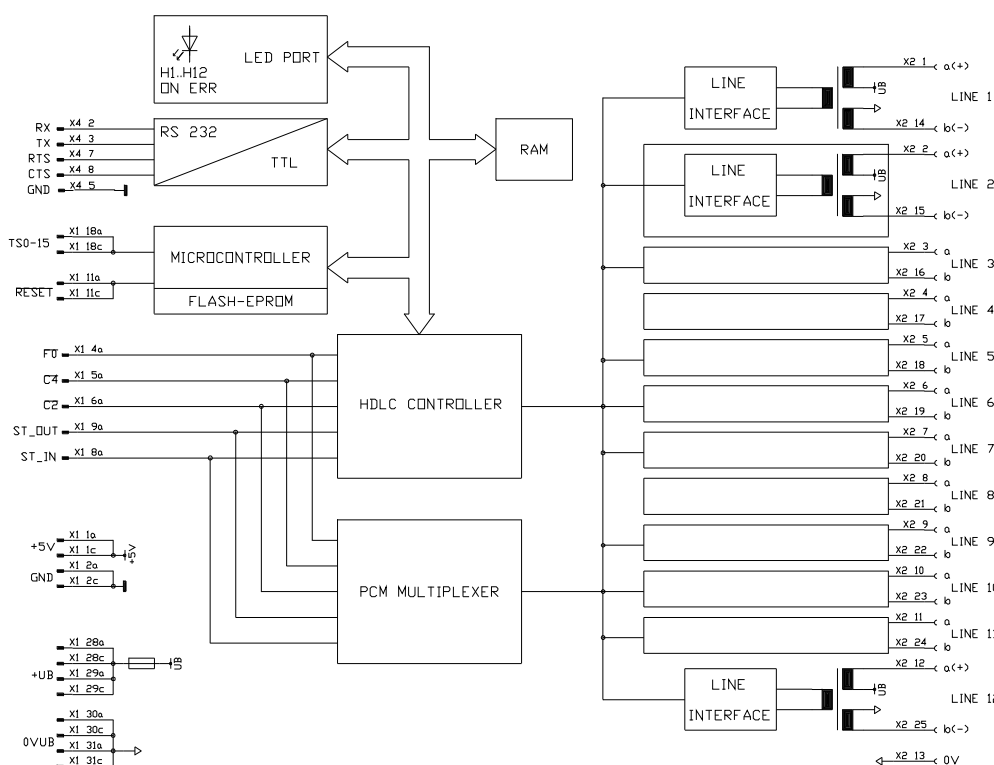


Figure 1: Circuit diagram 12 DDL 02

### Mechanical data

• Height x depth	233 mm x 160 mm (9 1/4" x 6 1/4")
• Dimensions of the front plate	6 RU, 4 HP
• Weight	ca. 0.5 kg (approx. 1 lb)
• Plug types	PC612-C64 / Sub-D 25

### Electrical data

• Operating voltage of the control electronics	5 V
• Current consumption	0.4 A
• Service interface	RS232
• Operating voltage of the station terminal	48 V to 72 V
• Maximum admissible feeding current	100 mA
• Short circuit current	350 mA

**Environmental requirements and standards**

• Temperature range	0 °C to +50 °C (32 °F to 122 °F)
• Vibration resistance (IEC 68-2-26 Fc)	0.7 g (10Hz to 150Hz)
• Shock resistance (IEC 68-2-27)	25 g / 6 ms
• EMC	IEC / EN 61000-6-2 IEC / EN 61000-6-4

**INDUSTRONIC®**

Industrie-Electronic GmbH & Co. KG  
 Carl-Jacob-Kolb-Weg 1  
 97877 Wertheim / Germany

Tel.: +49 9342 871-0  
 Fax: +49 9342 871-565

info@industronic.de  
 www.industronic.com