

# 762-763 VALVE WITH UM ELECTRIC ACTUATOR

## CHARACTERISTICS

The 762-763+UM ball valve is dedicated to the automatic opening/shut-off of pipes carrying medium pressure unloaded industrial fluids. This full bore split body ball valve is certified by the following standards: 97/23/EC, ATEX, and Firesafe. The valve complies with the EN 558-1 series 27 face-to-face standards. The ISO 5211 pad allows a direct mounting of the UM actuator. It is perfectly suitable for an indoor or outdoor industrial service (under shelter).

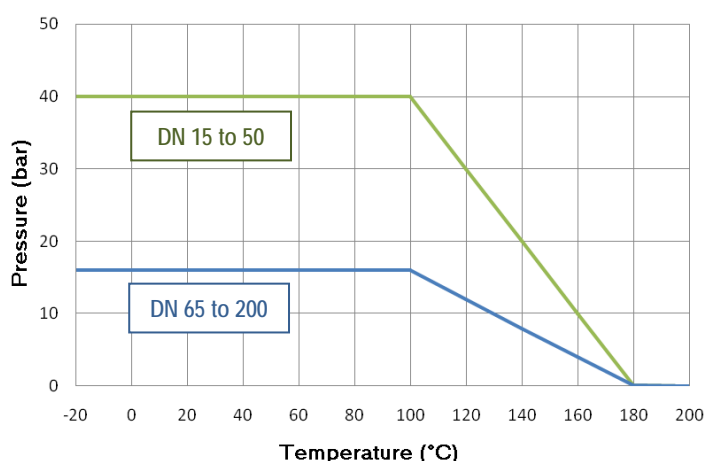


## AVAILABLE ITEMS

762: 1.0619 carbon steel (A216 WCB) body  
 763: 1.4408 stainless steel (A351 CF8M) body  
 DN 15 to DN 80  
 DN 15 to DN 50: flanged connections RF PN16/40  
 DN 65 to DN 80: flanged connections RF PN16  
 Voltages: 24 V DC, 24 V AC and 230 V AC

## LIMITS OF USE

<b>Max. allowable pressure (PS)</b>	DN 15 to 50: 40 bar (20 °C) DN 65 to 80: 16 bar (20 °C)
<b>Min./max. allowable temperature (TS)</b>	-20 °C / + 200 °C
<b>Room temperature</b>	- 10 °C / + 50 °C
<b>Actuator compressed air</b>	S4 - 30% - 10 starts/h



The following data is for information purpose only and may be subject to alteration without prior notice

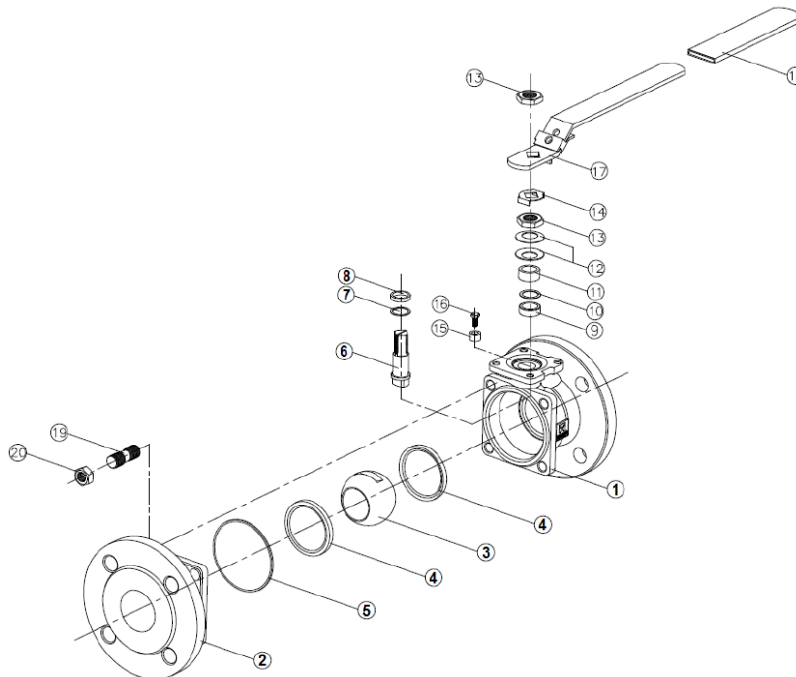
	SECTORIEL S.A. 45, rue du Ruisseau 38290 Saint Quentin-Fallavier – FRANCE Tel.: +33 474 94 90 70 – Fax: +33 474 94 13 95 <a href="http://www.sectoriel.fr">www.sectoriel.fr</a> / email: sectoriel@sectoriel.fr	Nbr. pages	1/4
		Ref.	762+UM GB
		Rev.	4
		Date	06/2012

# 762-763 VALVE WITH UM ELECTRIC ACTUATOR

## DIRECTIVES AND DEVELOPMENT STANDARDS


	Standard	Notified bodies		Standard
97/23/EC Pressure Equipment Directive	DN 15 and 20 : excluded		Valve testing	EN 12266
	DN 25 to 200 : category II	#0035	Material certificate	EN 10204
Shell design	EN 12516-1		Alloy grade	EN 1503-1
Flanges dimension	EN 1092-1		Face-to-face dimension	EN 558-1 series 27
Fire testing	API 607		Actuator attachments	ISO 5211

## CONSTRUCTION



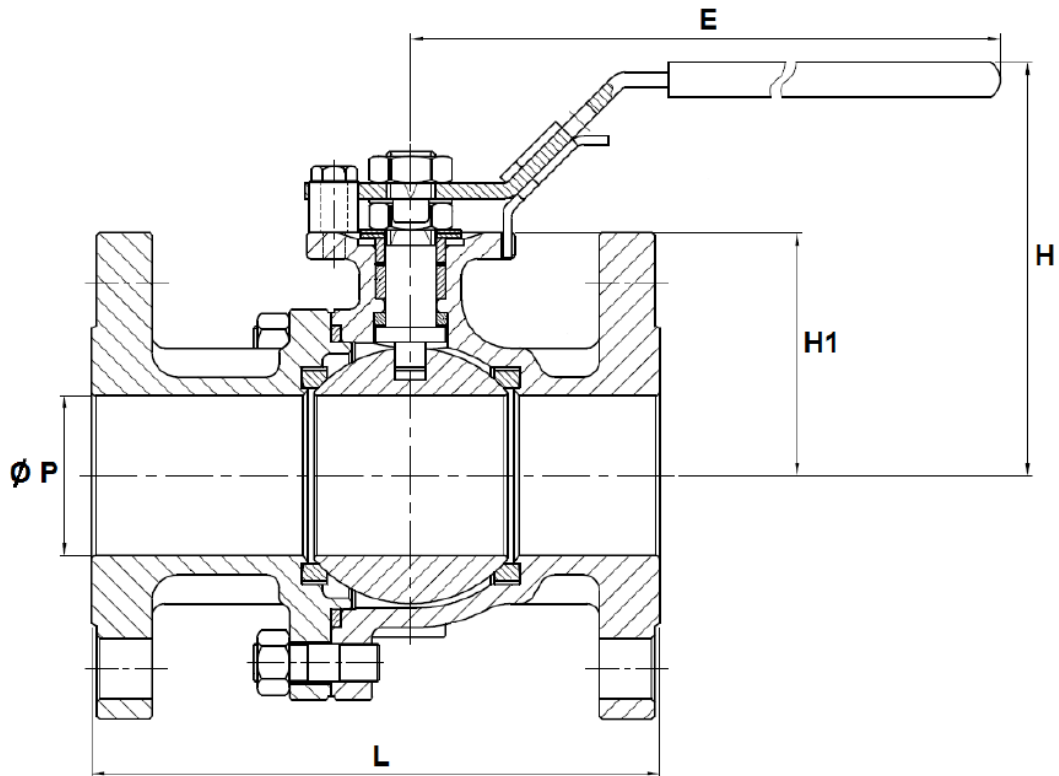
#	Item	762 CS	763 SS	#	Item	762 CS	763 SS
1	Body	Carbon steel A216 WCB	Stainless steel A351 CF8M	12	Belleville spring washers	SS 301	
2	Ends	Carbon steel A216 WCB	Stainless steel A351 CF8M	13	Nut	SS 304	
3	Ball	Stainless steel A351 CF8M		14	Locking washer	SS 304	
4	Seat	PTFE reinforced with glass		15	End stop	SS 304	
5	Body gasket	Graphite		16	End stop screw	SS 304	
6	Stem	SS ASTM A276 316		17	Handle	SS 304	
7	Ring	PTFE reinforced with carbon		18	Sleeve	PVC	
8	Ring	PTFE reinforced with carbon		19	Dowel	SS 304	
9	Gland packing	Graphite		20	Nut	SS 304	
10	Gland packing	PTFE reinforced with carbon					

The following data is for information purpose only and may be subject to alteration without prior notice

	SECTORIEL S.A. 45, rue du Ruisseau 38290 Saint Quentin-Fallavier – FRANCE Tel.: +33 474 94 90 70 – Fax: +33 474 94 13 95 <a href="http://www.sectoriel.fr">www.sectoriel.fr</a> / email: <a href="mailto:sectoriel@sectoriel.fr">sectoriel@sectoriel.fr</a>	Nbr. pages	2/4
		Ref.	762+UM GB
		Rev.	4
		Date	06/2012


# 762-763 VALVE WITH UM ELECTRIC ACTUATOR

## DIMENSIONS (mm)



DN	15	20	25	32	40	50	65	80	100	125	150	200
Ø P	15	20	24	30	38	50	64	76	98	125	150	200
L	115	120	125	130	140	150	170	180	190	325	350	400
E	158	158	196	196	245	261	400	400	400	743	743	925
H	76.5	78.1	92	96	109.1	115.6	188	194	215	239.6	256.5	323.5
H1	39	42.5	52	56	66	73	86.5	91.5	113.5	199	220	286.5
Weight (kg)	2.3	3	4	5.5	7	9.3	14.4	17.5	23.3	36.7	52	78

The following data is for information purpose only and may be subject to alteration without prior notice

	SECTORIEL S.A. 45, rue du Ruisseau 38290 Saint Quentin-Fallavier – FRANCE Tel.: +33 474 94 90 70 – Fax: +33 474 94 13 95 <a href="http://www.sectoriel.fr">www.sectoriel.fr</a> / email: <a href="mailto:sectoriel@sectoriel.fr">sectoriel@sectoriel.fr</a>	Nbr. pages	3/4
		Ref.	762+UM GB
		Rev.	4
		Date	06/2012

# 762-763 VALVE WITH UM ELECTRIC ACTUATOR

## ACTUATION WITH UM

Suggested standard UM actuation under the following conditions:

- Electric actuator with an IP 65 plastic enclosure and steel gears
- A minimum 1.3 safety factor compared with the valve nominal torque rating
- A fluid temperature below 80 °C
- A maximum pressure differential up/downstream of 10 bar (=ΔP)

Direct mounting of the electric actuator

DN	Actuator	Power	Operating time 230 V AC	Operating time 24 V AC/DC	Standard equipment of the actuator
15	UMA3.5	10 W	10 s	15 s	2 adjustable limit switches 2 dry auxiliary switches Actuator thermal cut-out Manual override by key Visual position indicator Electrical connection: UMA3.5: 1 gland pack ½" PF UMC10: 2 gland packs ½" PF
20	UMA3.5	10 W	10 s	15 s	
25	UMA3.5	10 W	10 s	15 s	
32	UMA3.5	10 W	10 s	15 s	
40	UMA3.5	10 W	10 s	15 s	
50	UMC10	25 W	8 s	N/A	
65	UMC10	25 W	8 s	N/A	
80	UMC 15	25 W	8 s	N/A	<b>Optional equipment</b> Anti-condensation heater

\*Unloaded operating time given for information purpose only. May vary depending on the medium


For any other working conditions, please contact us.

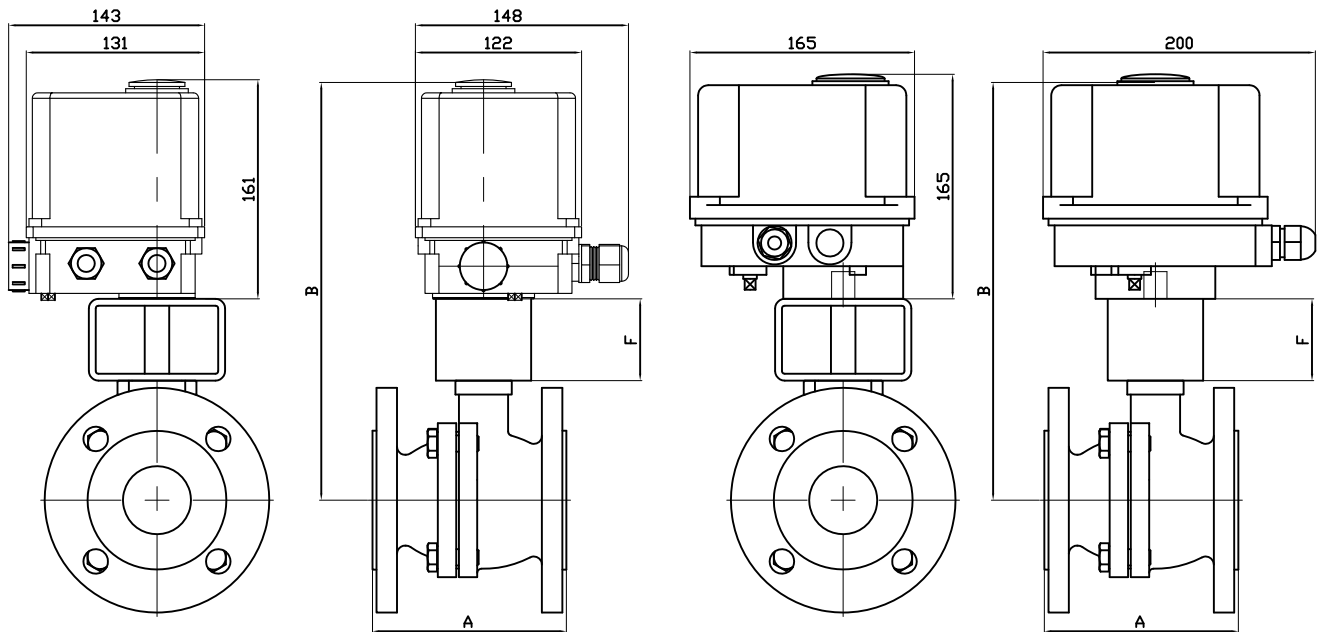
## ACTUATION OPTIONS

There are many different options, please contact our commercial department.

<b>1</b>	Electric actuator sized for a maximum pressure differential up/downstream over 10 bar (=ΔP)
<b>2</b>	UV electric actuator with a declutchable manual override by handwheel
<b>3</b>	Anti condensation heater

The following data is for information purpose only and may be subject to alteration without prior notice


	SECTORIEL S.A. 45, rue du Ruisseau 38290 Saint Quentin-Fallavier – FRANCE Tel.: +33 474 94 90 70 – Fax: +33 474 94 13 95 <a href="http://www.sectoriel.fr">www.sectoriel.fr</a> / email: sectoriel@sectoriel.fr	Nbr. pages	4/4
		Ref.	762+UM GB
		Rev.	4
		Date	06/2012



DN	15	20	25	32
SERVO	UMA3.5	UMA3.5	UMA3.5	UMA3.5
A	115	120	125	130
B	260	263.5	273	277
F	60	60	60	60
KG	4.5	5.2	6.3	7.8

DN	40	50	65	80
SERVO	UMC10	UMC10	UMC10	UMC15
A	140	150	170	180
B	291	298	331.5	336.5
F	60	60	80	80
KG	11.5	13.8	19.7	23.1

Informations données à titre indicatif et sous réserve de modifications éventuelles  
data subject to alteration

Ech: /				Date :29/03/2004	Dessiné par : F.G.	Tolérances générales : +/- 0.2	Remotorisation pour HTM	31/10/2012	A			
<b>ROBINET A TOURNANT SPHERIQUE 762-763HTM/BALL VALVE 762-763HTM + SERVOMOTEUR UM/ELECTRIC ACTUATOR UM</b>							Modifications	Date	REV.			
							Matière :					
							Poids <Kg> :					
 45, Rue du Ruisseau 38297 SAINT QUENTIN FALLAVIER							Traitement : SANS					
							Plan n° Ens 619A					

# ELECTRIC ACTUATOR UMA3.5

## GENERAL CHARACTERISTICS

The UMA3.5 electric actuator is used on ¼ turn valves. The maximum output torque is 15 Nm. Its compact construction with a plastic enclosure makes it convenient for actuation on small diameter ball valves and butterfly valves. Protection IP 65: possible use indoor and outdoor under shelter.

IP 65



## AVAILABLE ITEMS

Voltage: 230 V AC, 24 V AC and 24 V DC

## LIMITS OF USE

Protection rating	IP 65
Temperature range	-10 °C / +55 °C
Service	S4-30%

## MECHANICAL CHARACTERISTICS

Gears	Treated steel pinions
Torque	35 Nm
Rotation angle	90° +/- 5°
Declutching	Switch
Manual override	Allen key

Electric actuator	UMA3.5			UML3.5
Voltage	230 V AC	24 V AC	24 V DC	230 V AC
Operating time	12 s	15 s	16 s	40 s
ISO 5211 pad	F03/F05 – star 14			



## ELECTRICAL CHARACTERISTICS

Motor protection	Thermal cut-out
Adjustable limit switches	2 adjustable switches
Auxiliary switches	2 adjustable dry switches
Anti-condensation	Optional
Electrical connection	2 gland packs. ½" PF

Electric actuator	UMA3.5			UML3.5
Voltage	230 V AC	24 V AC	24 V DC	230 V AC
Power	10 W	3 W	3 W	10 W
Intensity	0.25 A	0.15 A	0.15 A	0.25 A

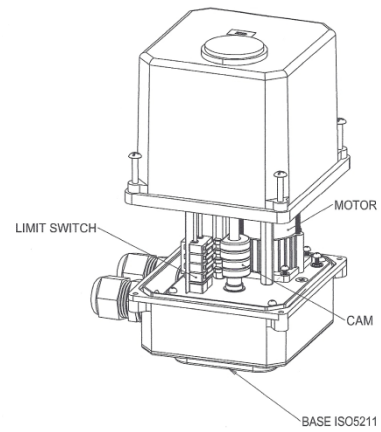
The following data is for information purpose only and may be subject to alteration without prior notice

	SECTORIEL S.A. 45, rue du Ruisseau 38290 Saint Quentin-Fallavier – FRANCE Tel.: +33 474 94 90 70 – Fax: +33 474 94 13 95 <a href="http://www.sectoriel.fr">www.sectoriel.fr</a> / email: <a href="mailto:sectoriel@sectoriel.fr">sectoriel@sectoriel.fr</a>	Pages	1/2
		Ref.	FT2206 GB
		Rev.	9
		Date	02/2012

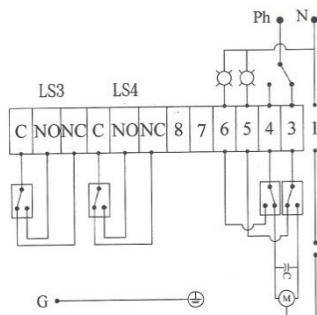
# ELECTRIC ACTUATOR UMA3.5

## CONSTRUCTION

Enclosure	PA 66 Plastic
Cover	PA 66 Plastic
Gears	Treated steel
Output	Star drive nut
Adjustable cams	Steel
Position indicator	Plexiglas®

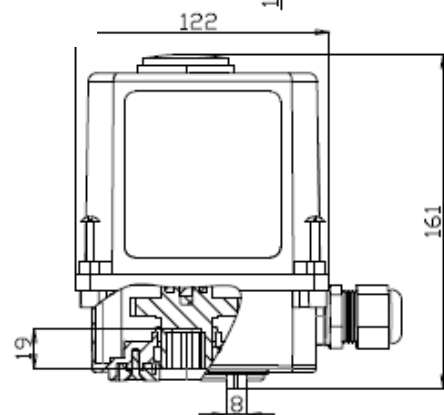
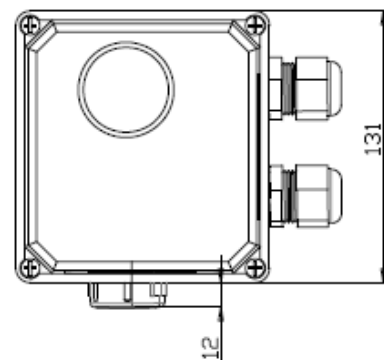


## WIRING SCHEME 230 V AC

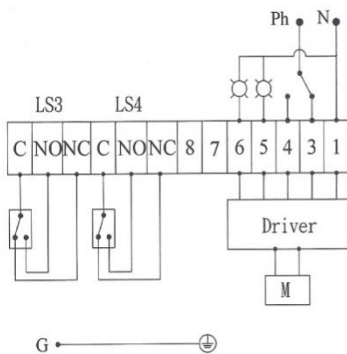


- 1 Common
  - 3 Opening phase
  - 4 Closing phase
  - 5 Open powered contact
  - 6 Close powered contact
  - 7 Heater
  - 8 Heater
- LS3 C-Auxiliary common dry open  
NO- NO Dry contact  
NC- NF Dry contact
- LS4 C-Auxiliary common dry close  
NO- NO Dry contact  
NC- NF Dry contact

## DIMENSIONS (mm)

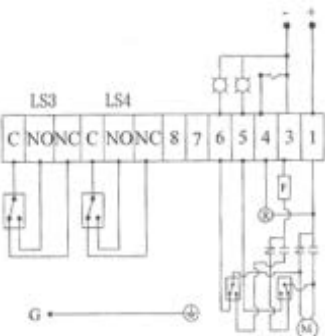


## WIRING SCHEME 24 V AC

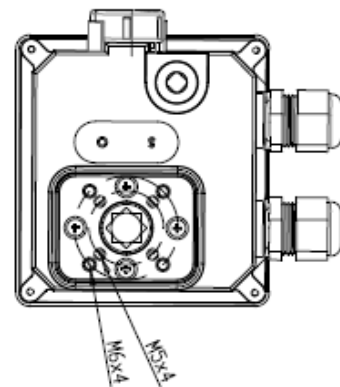


- 1 Common
  - 3 Opening phase
  - 4 Closing phase
  - 5 Open powered contact
  - 6 Close powered contact
  - 7 Heater
  - 8 Heater
- LS3 C-Auxiliary common dry open  
NO- NO Dry contact  
NC- NF Dry contact
- LS4 C-Auxiliary common dry close  
NO- NO Dry contact  
NC- NF Dry contact

## WIRING SCHEME 24 V DC



- Wire 1 with +
  - Wire 3 with -
  - Bridge between 3 and 4 Opening
  - 5 Open powered contact
  - 6 Close powered contact
  - 7 Heater
  - 8 Heater
- LS3 C-Auxiliary common dry open  
NO- NO Dry contact  
NC- NF Dry contact
- LS4 C-Auxiliary common dry close  
NO- NO Dry contact  
NC- NF Dry contact



The following data is for information purpose only and may be subject to alteration without prior notice

	SECTORIEL S.A. 45, rue du Ruisseau 38290 Saint Quentin-Fallavier – FRANCE Tel.: +33 474 94 90 70 – Fax: +33 474 94 13 95 <a href="http://www.sectoriel.fr">www.sectoriel.fr</a> / email: sectoriel@sectoriel.fr	Pages	2/2
		Ref.	FT2206 GB
		Rev.	9
		Date	02/2012

# ELECTRIC ACTUATOR UMC

## GENERAL CHARACTERISTICS

The UMC and UMCL electric actuators are generally used on ¼ turn valves. The maximum output torque is between 100 Nm and 150 Nm. Its compact construction with a plastic enclosure makes it convenient for the actuation of small diameter ball valves and butterfly valves. Protection IP 65: possible use indoor and outdoor under shelter.

## AVAILABLE ITEMS

100 Nm and 150 Nm torque  
Voltage: 230 V AC, 24 V AC and 24 V DC



## LIMITS OF USE

Protection rating	IP 65
Temperature range	-10 °C / +60 °C
Service	S4 - 30%

## MECHANICAL CHARACTERISTICS

Gears	Treated steel pinions
Rotation angle	90° +/- 5°
Declutching	N/A
Manual override	Allen key (except for UML version)



Electric actuator	UMC10	UMC15			UMC15L
Voltage	230 V AC	230 V AC	24 V AC	24 V DC	230 V AC
Torque	100 Nm	150 Nm			
Operating time	8 s	8 s	8 s	8 s	45 s
ISO 5211 pad	F07 – star 17				

## ELECTRICAL CHARACTERISTICS

Motor protection	Thermal cut-out
Adjustable limit switches	2 adjustable switches
Auxiliary switches	2 dry adjustable switches
Anti-condensation	Optional
Electrical connection	2 gland packs ½" PF

Electric actuator	UMC10	UMC15			UMC15L
Voltage	230 V AC	230 V AC	24 V AC	24 V DC	230 V AC
Power	25 W	25 W	25 W	25 W	25 W
Intensity	0.42 A	0.42 A	0.5 A	0.5 A	0.42 A

The following data is for information purpose only and may be subject to alteration without prior notice

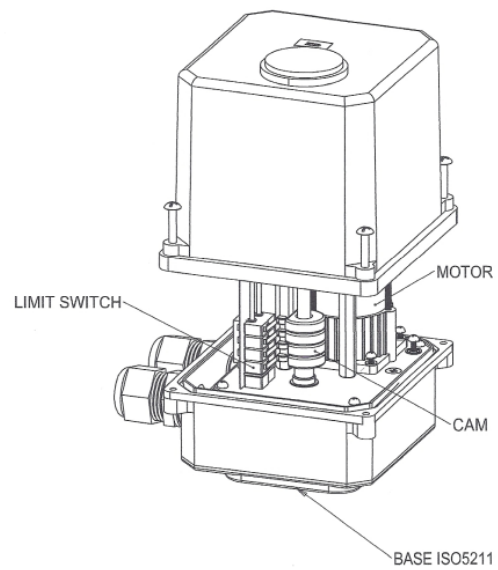
	SECTORIEL S.A. 45, rue du Ruisseau 38290 Saint Quentin-Fallavier – FRANCE Tel.: +33 474 94 90 70 – Fax: +33 474 94 13 95 <a href="http://www.sectoriel.fr">www.sectoriel.fr</a> / email: <a href="mailto:sectoriel@sectoriel.fr">sectoriel@sectoriel.fr</a>	Pages	1/3
		Ref.	FT2224 GB
		Rev.	9
		Date	11/2012



# ELECTRIC ACTUATOR UMC

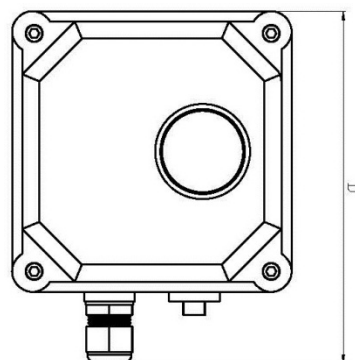
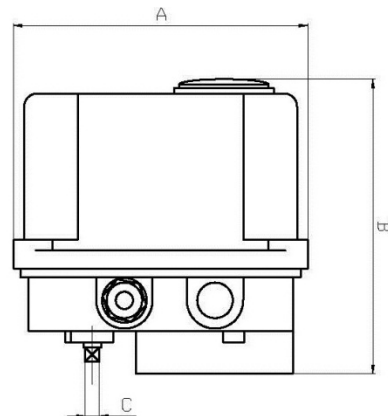
## CONSTRUCTION

Enclosure	PA66 Plastic
Cover	PA66 Plastic
Gears	Treated steel
Output	Star drive nut
Adjustable cams	Steel
Position indicator	Plexiglas®




## DIMENSIONS (mm)

A	165
B	165
C	8
D	200



The following data is for information purpose only and may be subject to alteration without prior notice

	SECTORIEL S.A. 45, rue du Ruisseau 38290 Saint Quentin-Fallavier – FRANCE Tel.: +33 474 94 90 70 – Fax: +33 474 94 13 95 <a href="http://www.sectoriel.fr">www.sectoriel.fr</a> / email: <a href="mailto:sectoriel@sectoriel.fr">sectoriel@sectoriel.fr</a>	Pages	2/3
		Ref.	FT2224 GB
		Rev.	9
		Date	11/2012

# ELECTRIC ACTUATOR UMC

## WIRING SCHEME 230 V AC AND 24 V AC

		230 V AC	24 V AC
1	Common		
3	Opening phase		
4	Closing phase		
5	Open powered contact		
6	Close powered contact		
7	Heater		
8	Heater		
9-C	Aux. common LS3 Opening		
10-NO	Aux. NO contact LS3 Opening		
11-NC	Aux. NC contact LS3 Opening		
12-C	Aux. common LS4 Closing		
13-NO	Aux. NO contact LS4 Closing		
14-NC	Aux. NC contact LS4 Closing		

## WIRING SCHEME 24 V DC

	Wire 1 with +	
	Wire 3 with -	
	Bridge between 3 and 4 opening	
	Disconnected 4 closing	
5	Open powered contact	
6	Close powered contact	
7	Heater	
8	Heater	
D1	Aux. common #1	
D2	Aux. NO contact #1	
D3	Aux. NC contact #1	
C1	Aux. common #2	
C2	Aux. NO contact #2	
C3	Aux. NC contact #2	

The following data is for information purpose only and may be subject to alteration without prior notice

	SECTORIEL S.A. 45, rue du Ruisseau 38290 Saint Quentin-Fallavier – FRANCE Tel.: +33 474 94 90 70 – Fax: +33 474 94 13 95 <a href="http://www.sectoriel.fr">www.sectoriel.fr</a> / email: <a href="mailto:sectoriel@sectoriel.fr">sectoriel@sectoriel.fr</a>	Pages	3/3
		Ref.	FT2224 GB
		Rev.	9
		Date	11/2012